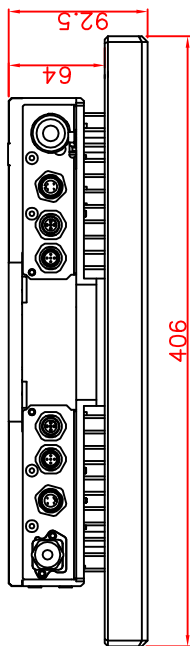


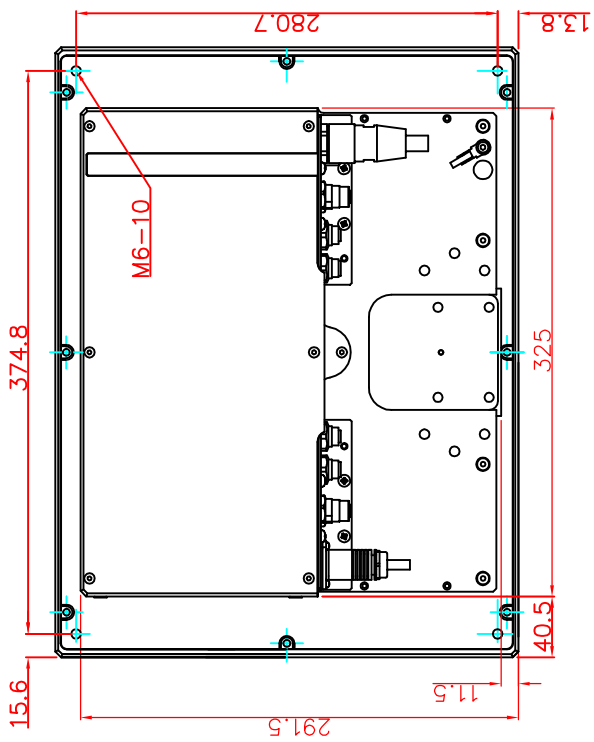
CP7221-0001-M164

main dimensions and fixing points

dimensions in mm

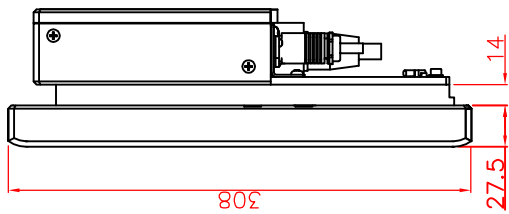


bottom view



rear view

dimensions in mm



right view