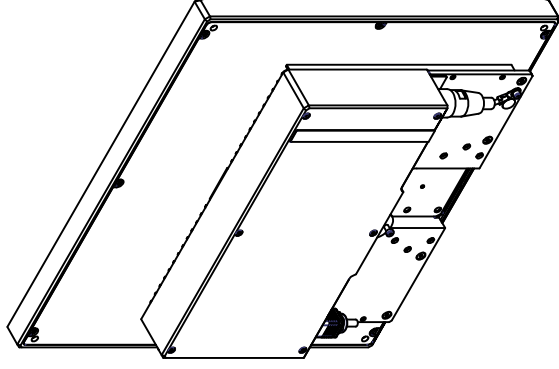


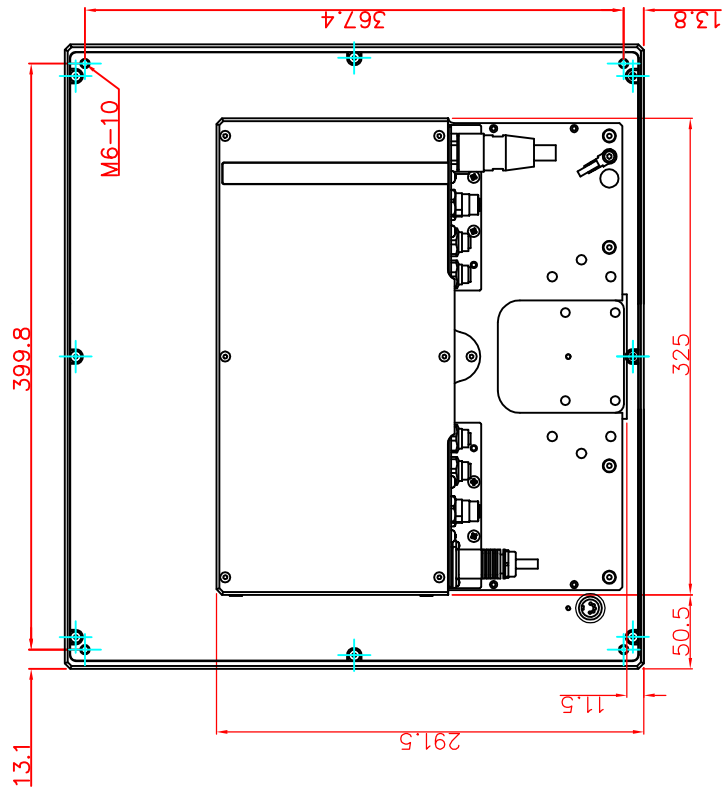
bottom view



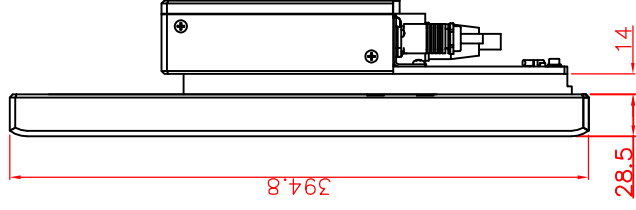
CP7202-0000-M164-E169

main dimensions and fixing points

dimensions in mm



rear view



right view

dimensions in mm