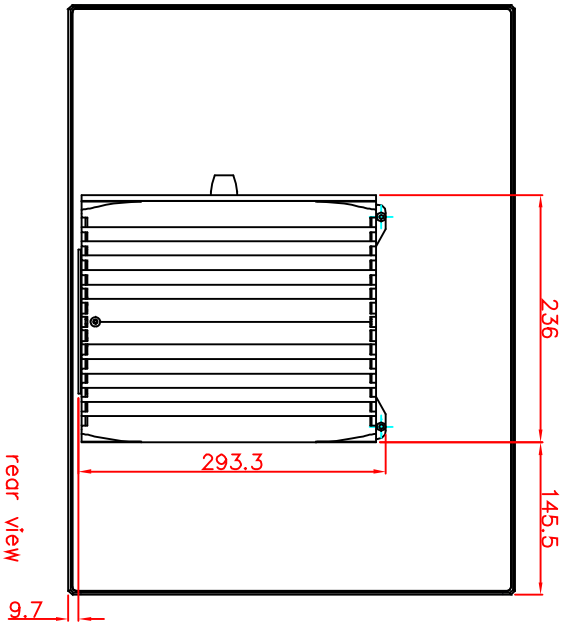
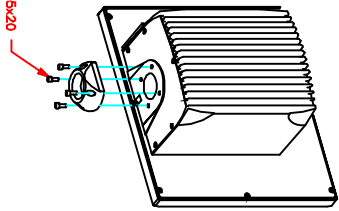


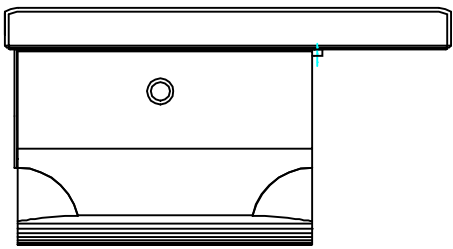
CP7123-0001-M150
mounting arm adapter
for Roltec Tara-48-60
146.025.016

main dimensions and fixing
points
dimensions in mm

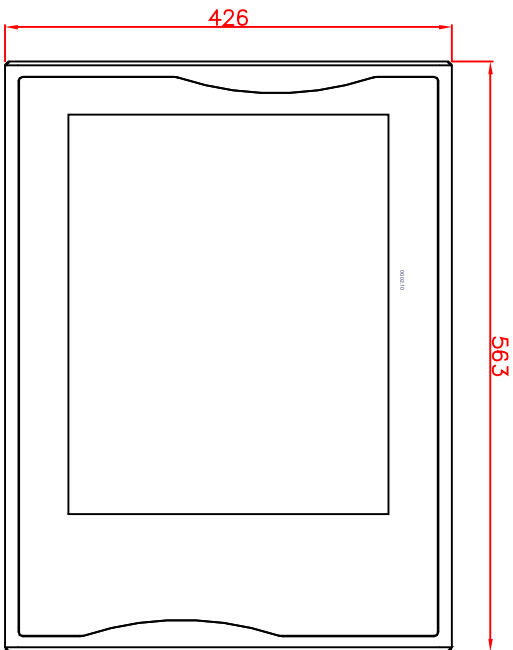
4x Cheese head screw M6x20



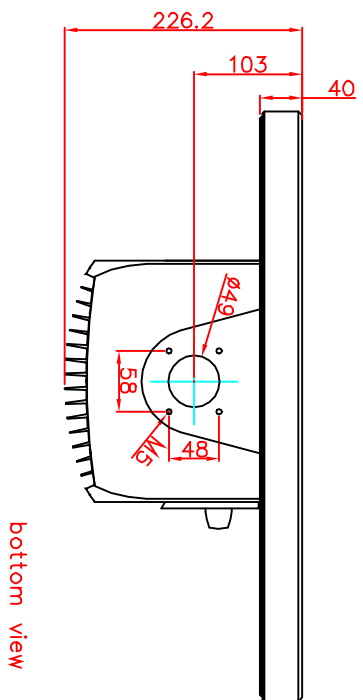
rear view



right view



front view



bottom view