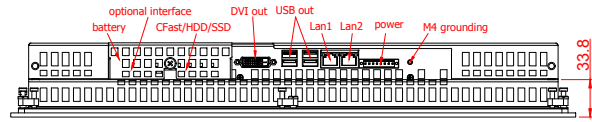


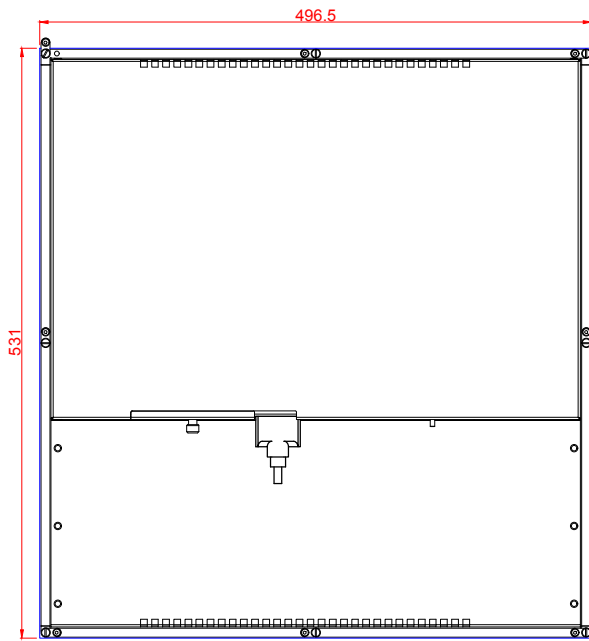
CP6733-0001-0040

main dimensions and
fixing points

dimensions in mm

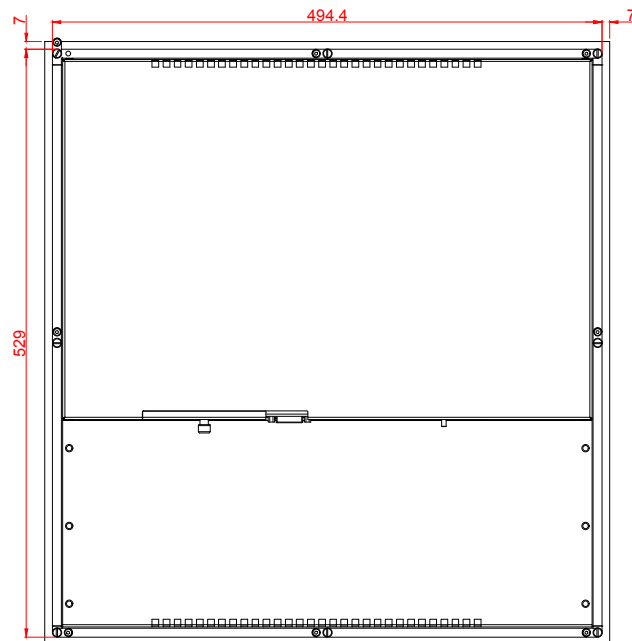


bottom view

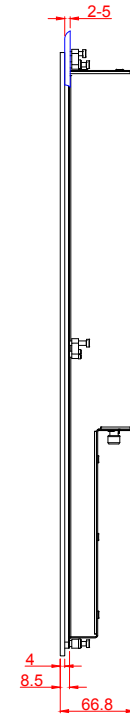


cut out dimensions: 531mm x 496,5mm

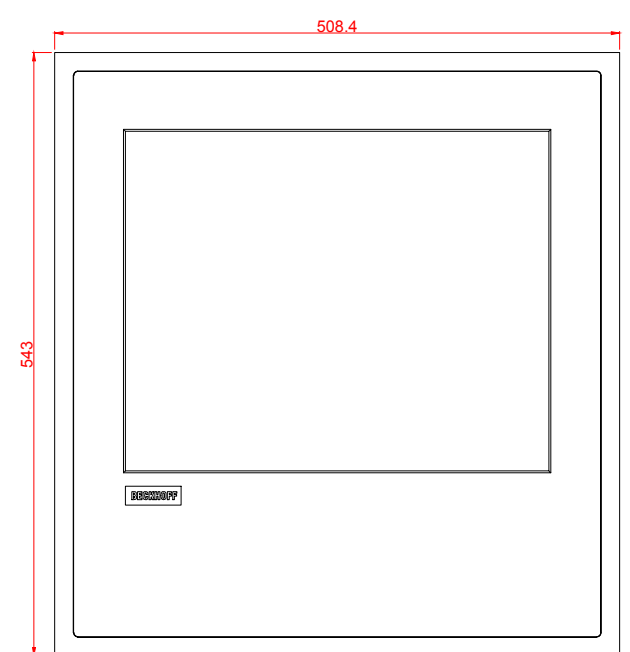
rear view



rear view



left view



front view