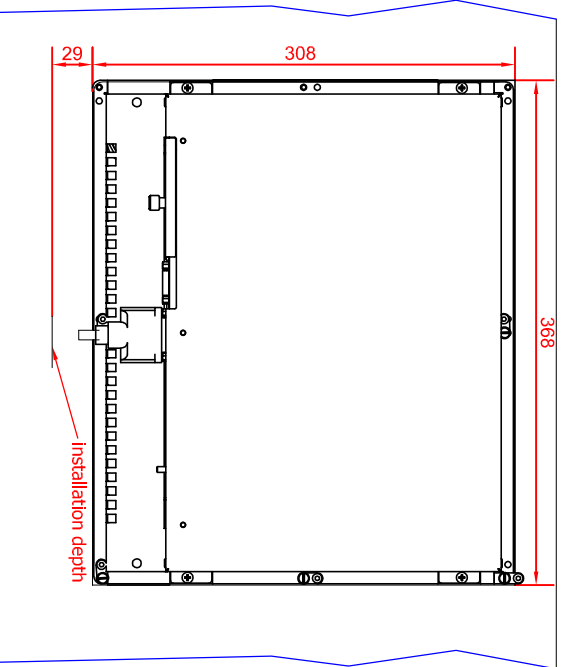
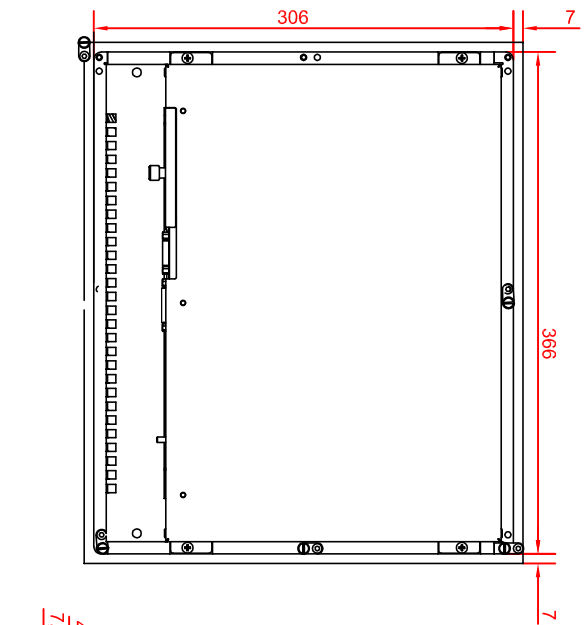


bottom view

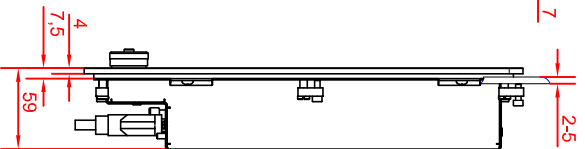
CP6202-0000_2Port-USB A interface
main dimensions



rear view
with
install measure

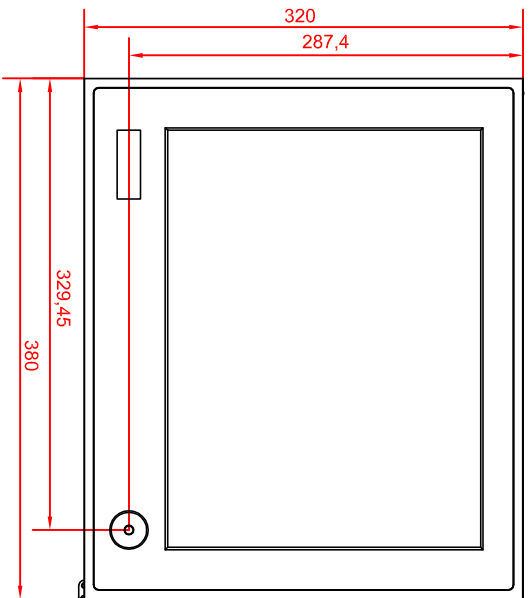


rear view



right view

dimensions in mm



front view

