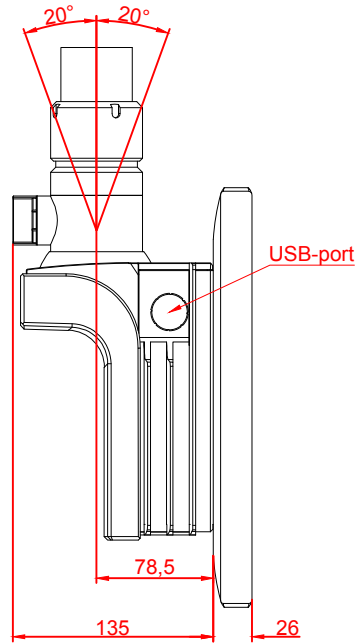
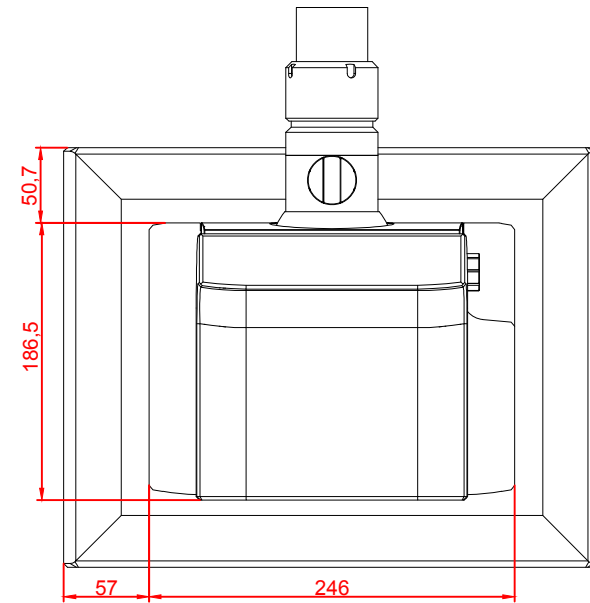


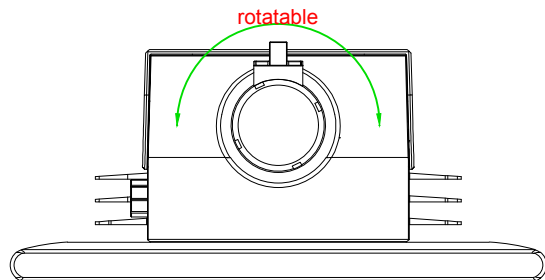
front view



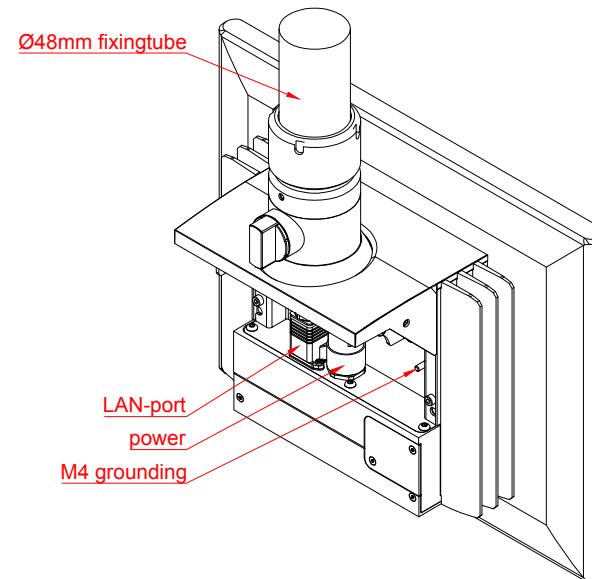
left view



rear view



top view



CP3715-E274

main dimensions and
fixing points

dimensions in mm