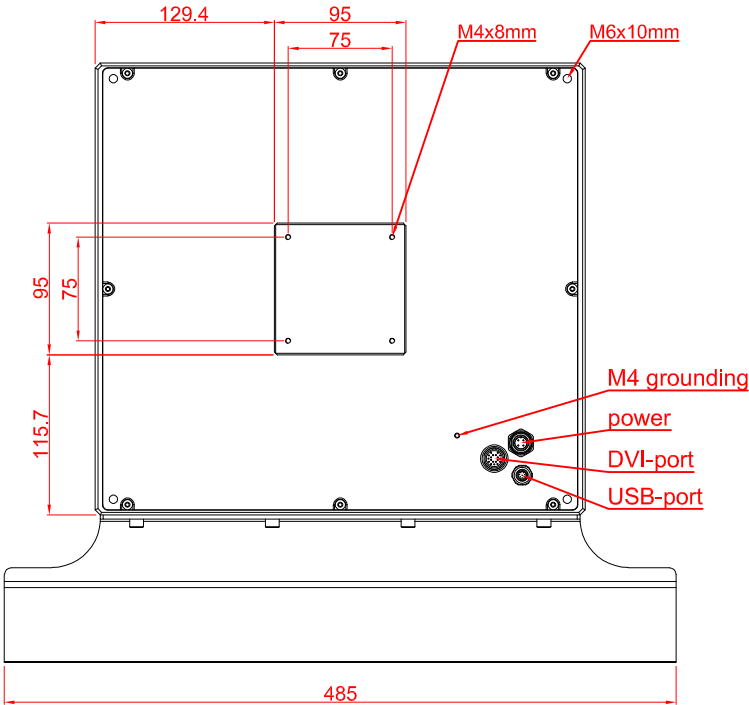


CP7901-0021-M233-M400

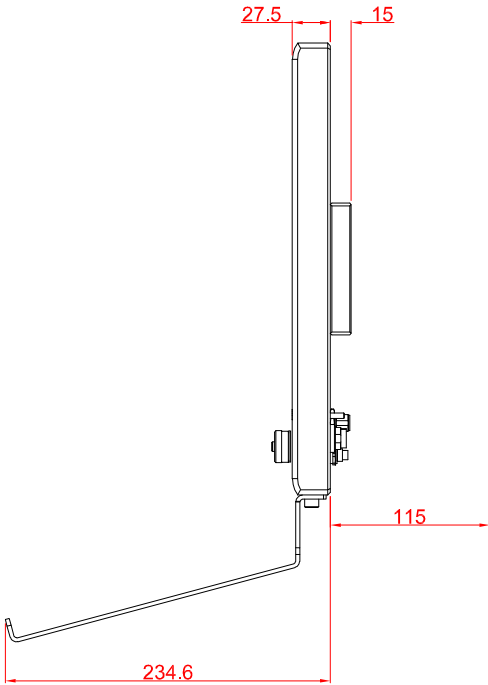
connection-console
VESA FPM PMI

main dimensions and
fixing points

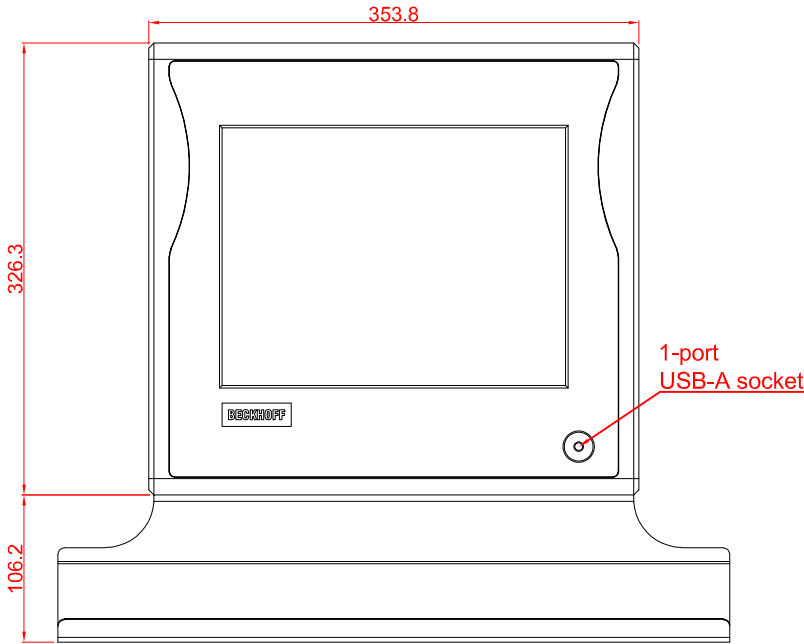
dimensions in mm



rear view



side view



front view