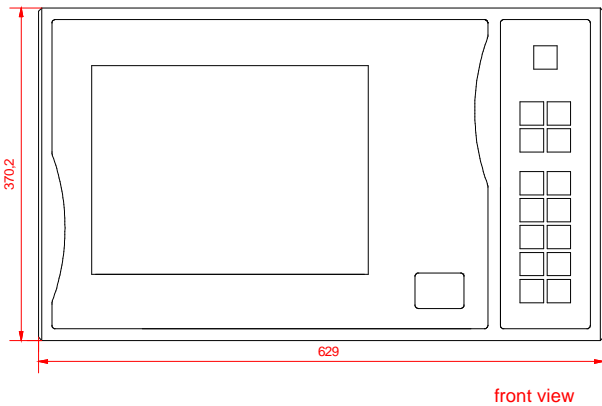
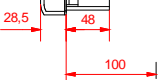


rear view



front view



installation depth  
cp-link connectors  
right view

CP7022 - 0002 - E661  
main dimensions and  
fixing points  
  
dimensions in mm

