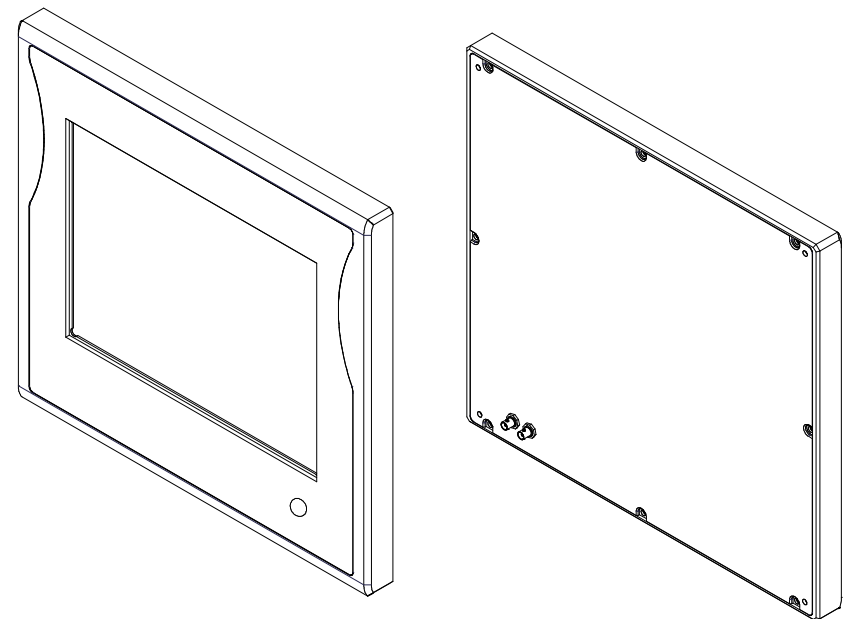


installation depth
cp-link connectors



CP 7001 - 0011 - E601

main dimensions and
fixing points

dimensions in mm