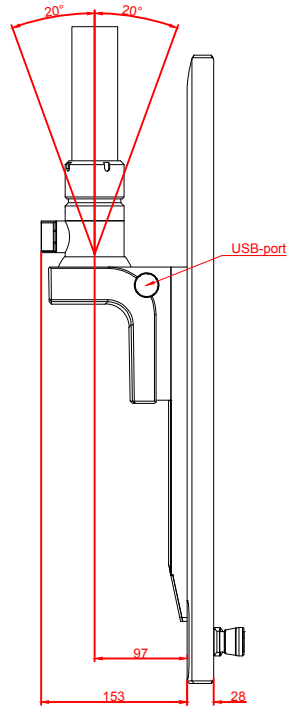
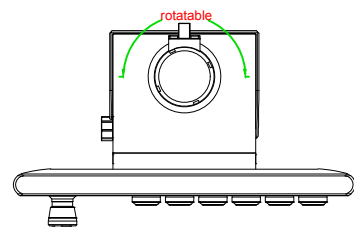
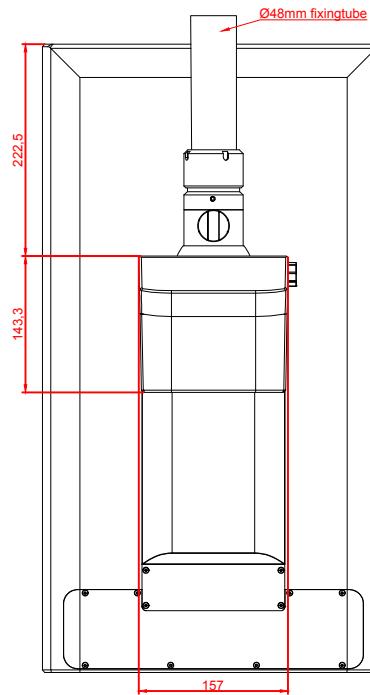


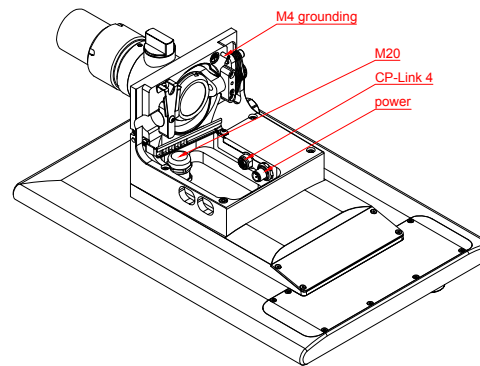
front view



left view



top view



CP3924-G037-0010-M752-E274

main dimensions and
fixing points

dimensions in mm