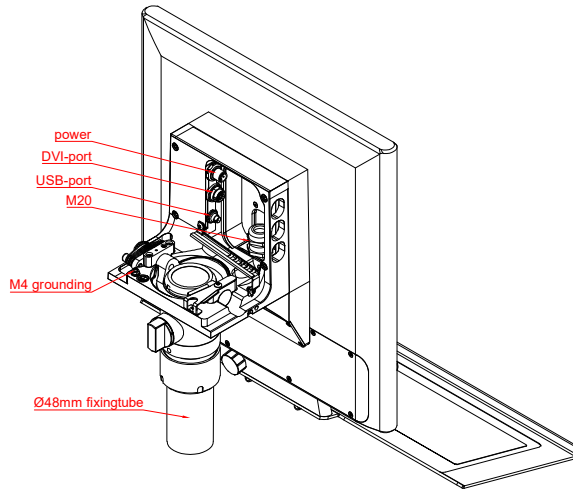
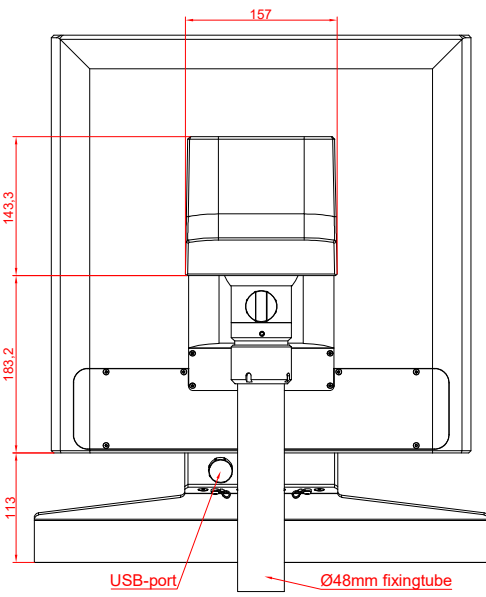


bottom view

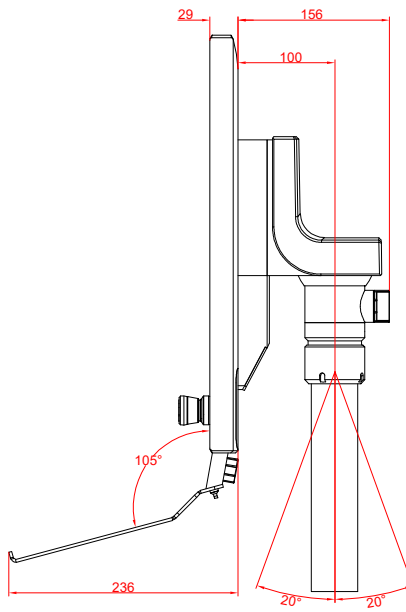


power
DVI-port
USB-port
M20
M4 grounding

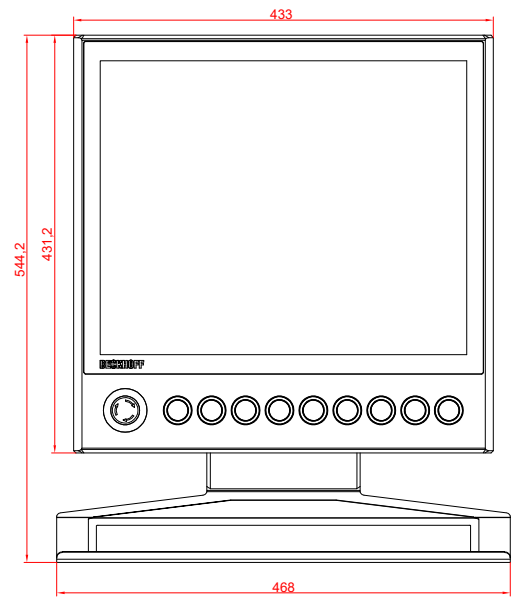
Ø48mm fixingtube



rear view



side view



front view

CP3919-0000
with
C9900-G026
C9900-M753
C9900-M406

main dimensions and
fixing points

dimensions in mm

