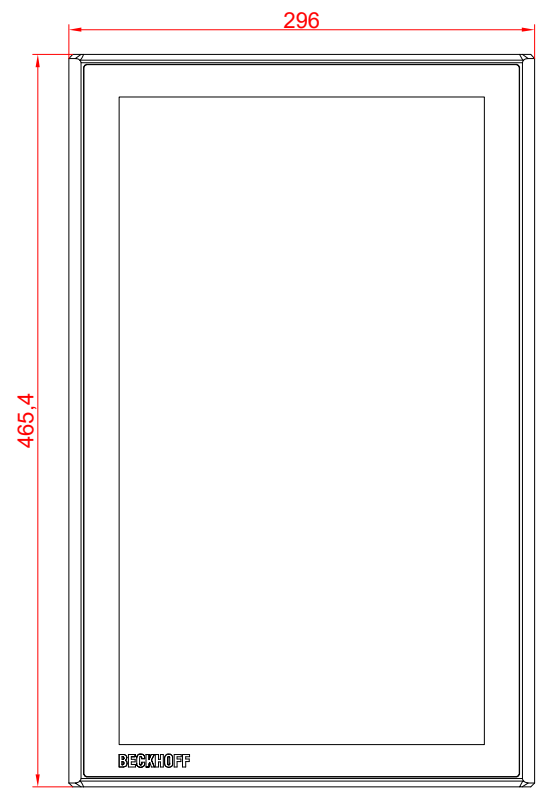
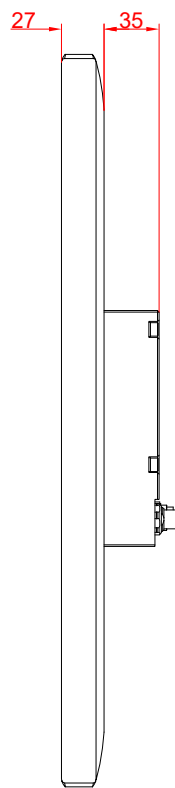
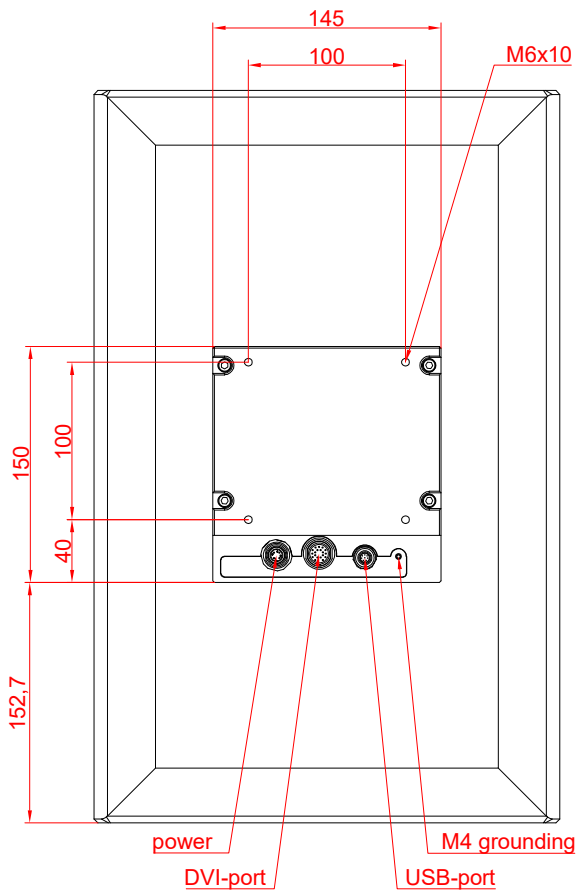
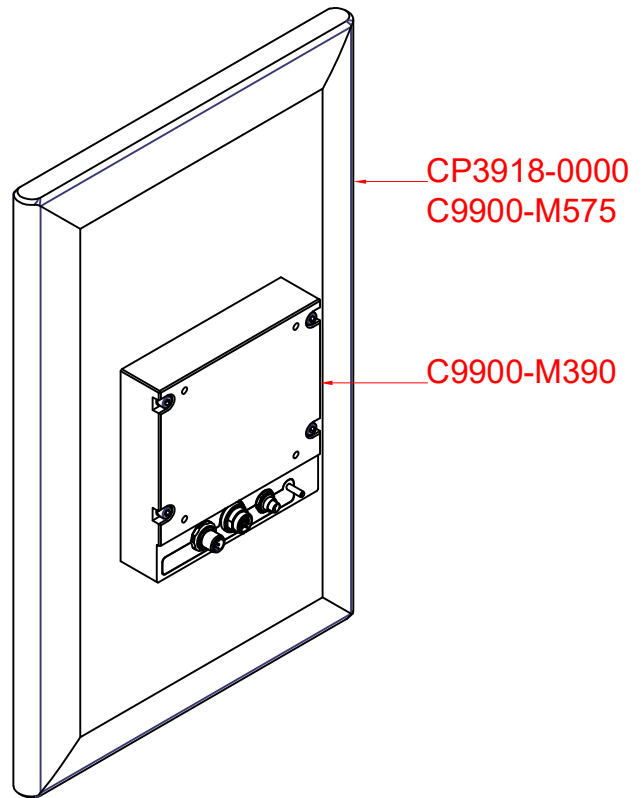


CP3918-0000
with
C9900-M575
C9900-M390

main dimensions and
fixing points

dimensions in mm



side view

front view