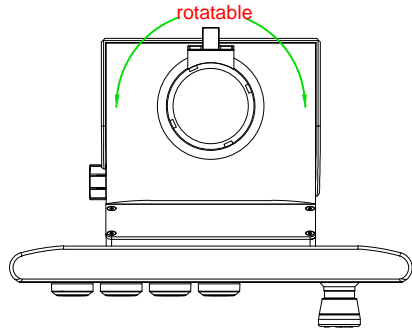


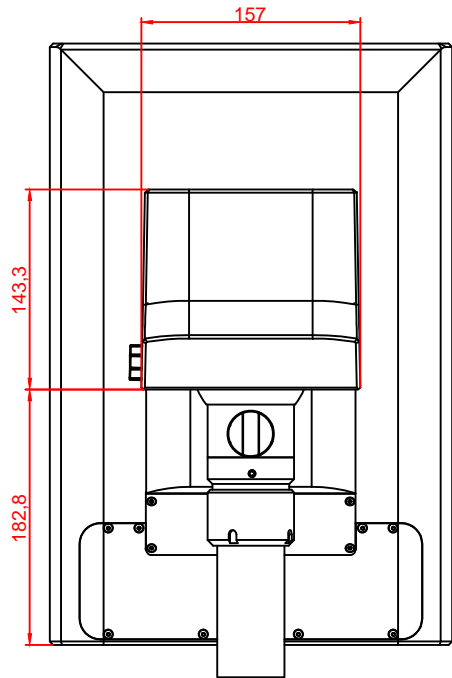
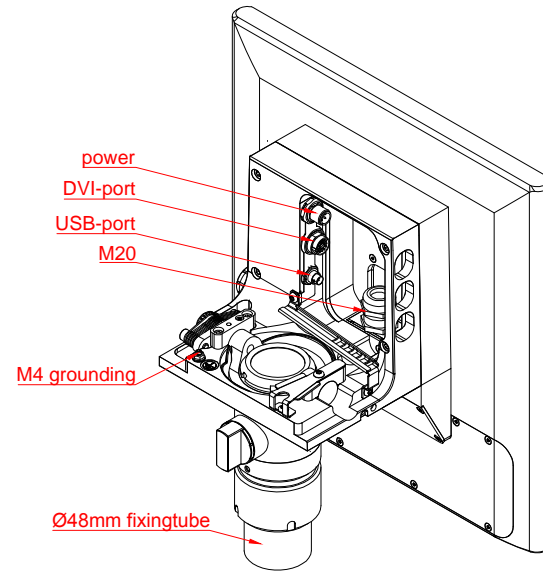
CP3915-M575-G033-M753-E274

main dimensions and fixing points

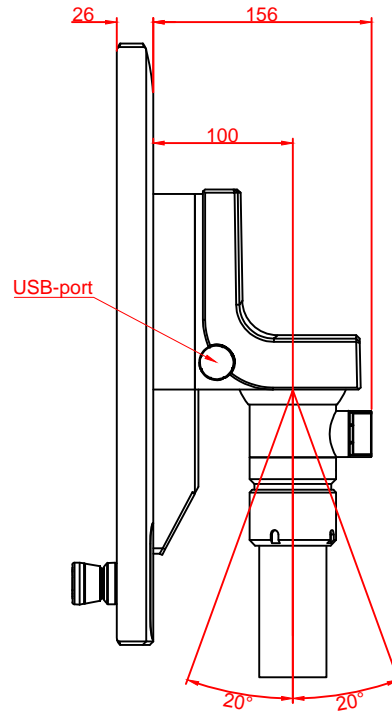
dimensions in mm



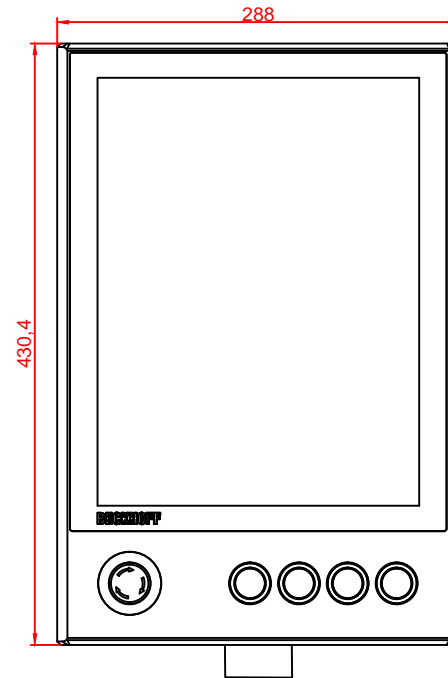
bottom view



rear view



left view



front view