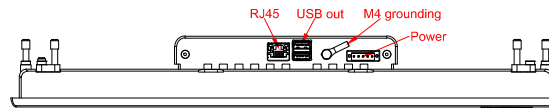
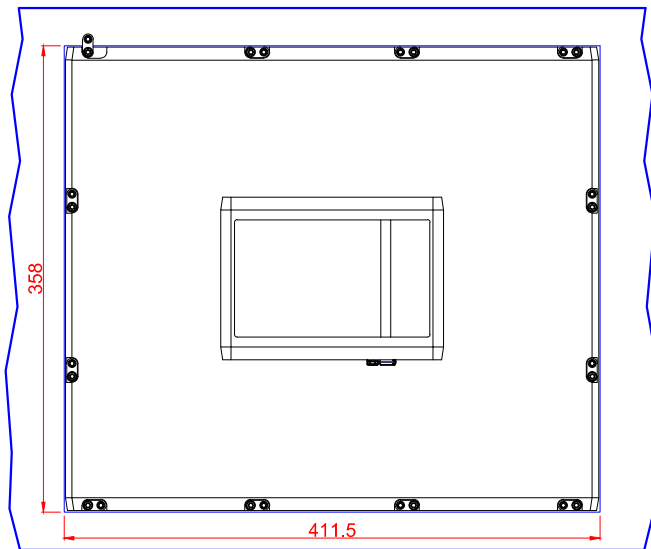


CP2919-0010
main dimensions and
fixing points
dimensions in mm

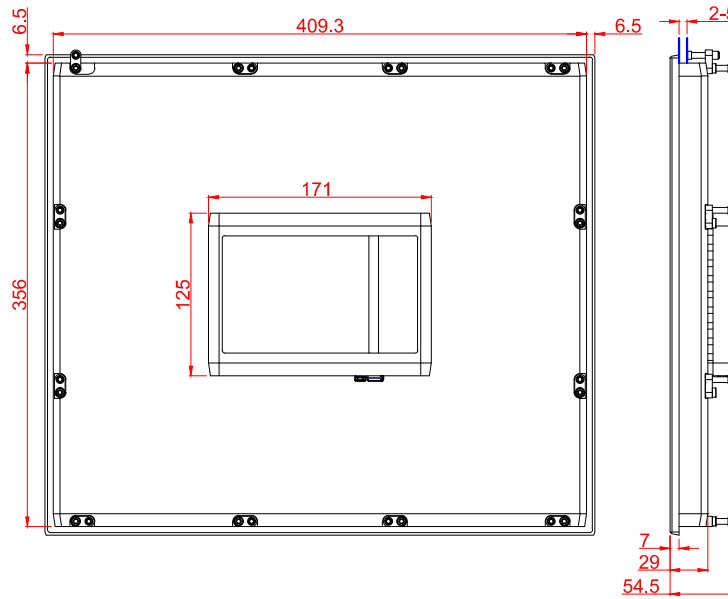


bottom view

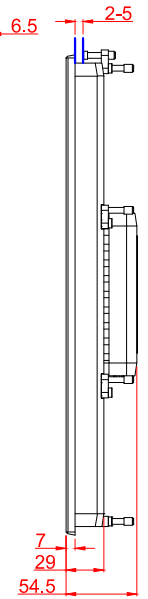


cut out dimensions: 411,5mm x 358mm

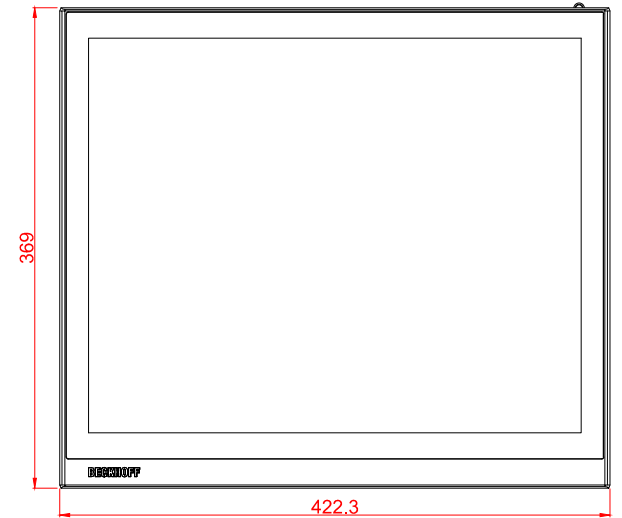
rear view with
install measure



rear view



left view



front view