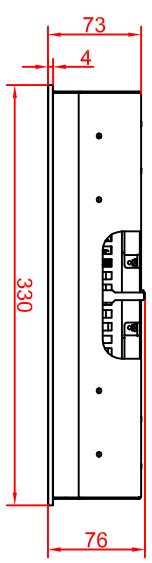
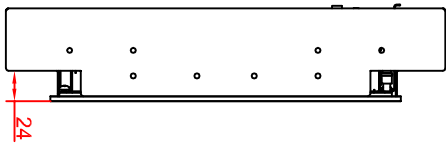


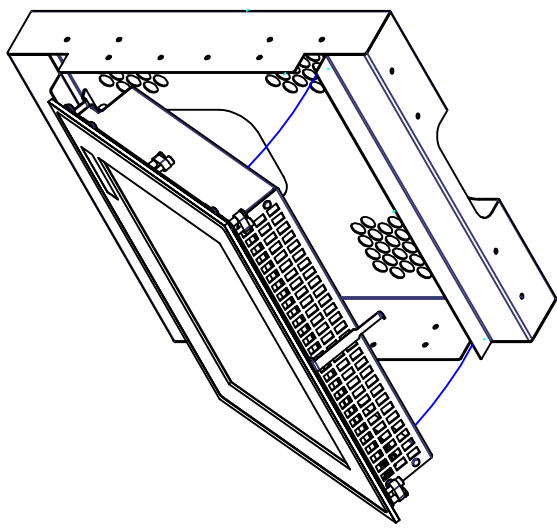
front view



top view



left view



CP6601 / CP6901-0001 + mounting frame C9900-M313

main dimensions and  
fixing points

dimensions in mm