

Manual | EN

C7015

Industrial PC



Table of contents

| | | |
|-----------|---|-----------|
| 1 | Notes on the documentation | 5 |
| 2 | For your safety | 6 |
| 2.1 | Signal words | 6 |
| 2.2 | Intended use | 6 |
| 2.3 | Fundamental safety instructions | 7 |
| 2.4 | Operator's obligation to exercise diligence | 7 |
| 2.5 | Notes on information security | 8 |
| 3 | Product overview | 9 |
| 3.1 | Structure | 10 |
| 3.2 | Interface description | 11 |
| 3.2.1 | EtherCAT P | 11 |
| 3.2.2 | Power supply | 12 |
| 3.2.3 | Ethernet RJ45 | 13 |
| 3.2.4 | Mini DisplayPort | 14 |
| 3.2.5 | USB | 15 |
| 3.3 | Status LEDs | 16 |
| 3.3.1 | UPS-OCT LED | 16 |
| 3.3.2 | PWR LED | 17 |
| 3.3.3 | HDD LED | 17 |
| 3.3.4 | TC LED | 17 |
| 3.4 | Name plate | 18 |
| 3.5 | Connection cable and accessories | 19 |
| 4 | Commissioning | 24 |
| 4.1 | Transport and unpacking | 24 |
| 4.2 | Assembly | 25 |
| 4.2.1 | Dimensions | 26 |
| 4.2.2 | Mounting the Industrial PC | 27 |
| 4.2.3 | Mounting EtherCAT P Box module | 29 |
| 4.3 | Connecting the industrial PC | 30 |
| 4.3.1 | Grounding of the industrial PC | 31 |
| 4.3.2 | Connecting cables and power supply | 32 |
| 4.4 | Switching the industrial PC on and off | 33 |
| 5 | Beckhoff Device Manager | 34 |
| 6 | Decommissioning | 37 |
| 6.1 | Disconnecting the power supply and cables | 37 |
| 6.2 | Disassembly and disposal | 38 |
| 7 | Maintenance | 40 |
| 7.1 | Cleaning | 40 |
| 7.2 | Maintenance | 41 |
| 8 | Troubleshooting | 43 |
| 9 | Technical data | 44 |
| 10 | Appendix | 45 |

| | |
|--------------------------------|----|
| 10.1 Service and support | 45 |
| 10.2 Approvals | 46 |

1 Notes on the documentation

This description is only intended for the use of trained specialists in control and automation engineering who are familiar with the applicable national standards.

The following instructions and explanations must be followed during installation and commissioning of the components. The responsible staff must ensure that the application or use of the products described satisfy all the requirements for safety, including all the relevant laws, regulations, guidelines and standards.

Disclaimer

The documentation has been prepared with care. The products described are, however, constantly under development. For that reason the documentation is not in every case checked for consistency with performance data, standards or other characteristics. In the event that it contains technical or editorial errors, we retain the right to make alterations at any time and without warning. No claims for the modification of products that have already been supplied may be made on the basis of the data, diagrams, and descriptions in this documentation. All illustrations shown are only examples. The configurations depicted may deviate from the standard.

Trademarks

Beckhoff®, TwinCAT®, TwinCAT/BSD®, TC/BSD®, EtherCAT®, EtherCAT G®, EtherCAT G10®, EtherCAT P®, Safety over EtherCAT®, TwinSAFE®, XFC®, XTS® and XPlanar® are registered and licensed trademarks of Beckhoff Automation GmbH.

Other designations used in this publication may be trademarks whose use by third parties for their own purposes could violate the rights of the owners.

Patents

The EtherCAT Technology is covered, including but not limited to the following patent applications and patents: EP1590927, EP1789857, EP1456722, EP2137893, DE102015105702 and similar applications and registrations in several other countries.

Copyright

© Beckhoff Automation GmbH & Co. KG. Publication of this document on websites other than ours is prohibited. Offenders will be held liable for the payment of damages. All rights reserved in the event of the grant of a patent, utility model or design.

Delivery state

All the components are supplied in particular hardware and software configurations appropriate for the application. Changes to the hardware or software configuration are permitted, provided they are within the specified limits for power consumption and power loss (please refer to the respective data sheet).

Currentness

Please check whether you are using the current and valid version of this document. The current version is always available for download from the Beckhoff website. In case of doubt, contact Technical Support.

Delivery conditions

In addition, the general delivery conditions of the company Beckhoff Automation GmbH & Co. KG apply.

2 For your safety

The signal words and their meanings are explained in the chapter on safety. They contain fundamental safety instructions that are essential for the avoidance of personal injuries and damage to property.

Exclusion of liability

Beckhoff shall not be liable in the event of non-compliance with this documentation and thus the use of the devices outside the documented operating conditions.

2.1 Signal words

The signal words used in the documentation are classified below.

Warning of personal injuries

| |
|---|
| ⚠ DANGER |
| Hazard with high risk of death or serious injury. |
| ⚠ WARNING |
| Hazard with medium risk of death or serious injury. |
| ⚠ CAUTION |
| There is a low-risk hazard that can result in minor injury. |

Warning of property and environmental damage

| |
|---|
| NOTICE |
| There is a possibility of damage to the environment, equipment or data. |

2.2 Intended use

The the Industrial PC is intended for use as a control system for automation, visualization and communication in machine and system engineering.

The specified limits for technical data must be adhered to.

The device can be used within the documented operating conditions.

Improper use

Do not use the device outside the documented operating conditions.

2.3 Fundamental safety instructions

The following safety instructions must be observed when handling the the Industrial PC.

Application conditions

- Do not use the device under extreme environmental conditions.
- Only use the device in hazardous areas if it is explicitly designed for this purpose.
- Never plug or unplug connectors during thunderstorms. There is a risk of electric shock.
- Ensure that the device has a protective and functional earth connection.

Damage to property, loss of data and impairment of functions

- Ensure that only trained specialists with a control and automation engineering background, operate the device. Use by unauthorized persons can lead to damage to property and loss of data.
- In the case of a 24 V DC power supply unit, fuse the power supply line according to its cross-section to protect the supply line in the event of a short circuit.
- In case of fire, extinguish the device with powder or nitrogen.

2.4 Operator's obligation to exercise diligence

The operator must ensure that

- the products are used only for their intended purpose (see Chapter 2.2 [Intended use](#) [▶ 6]).
- the products are only operated in sound condition and in working order.
- the products are operated only by suitably qualified and authorized personnel.
- the personnel is instructed regularly about relevant occupational safety and environmental protection aspects, and is familiar with the operating instructions and in particular the safety instructions contained herein.
- the operating instructions are in good condition and complete, and always available for reference at the location where the products are used.

2.5 Notes on information security

The products of Beckhoff Automation GmbH & Co. KG (Beckhoff), insofar as they can be accessed online, are equipped with security functions that support the secure operation of plants, systems, machines and networks. Despite the security functions, the creation, implementation and constant updating of a holistic security concept for the operation are necessary to protect the respective plant, system, machine and networks against cyber threats. The products sold by Beckhoff are only part of the overall security concept. The customer is responsible for preventing unauthorized access by third parties to its equipment, systems, machines and networks. The latter should be connected to the corporate network or the Internet only if appropriate protective measures have been set up.

In addition, the recommendations from Beckhoff regarding appropriate protective measures should be observed. Further information regarding information security and industrial security can be found in our <https://www.beckhoff.com/secguide>.

Beckhoff products and solutions undergo continuous further development. This also applies to security functions. In light of this continuous further development, Beckhoff expressly recommends that the products are kept up to date at all times and that updates are installed for the products once they have been made available. Using outdated or unsupported product versions can increase the risk of cyber threats.

To stay informed about information security for Beckhoff products, subscribe to the RSS feed at <https://www.beckhoff.com/secinfo>.

3 Product overview

The C7015 Industrial PC is an ultra-compact Industrial PC in IP65 that can be mounted either in the control cabinet to save space or directly on the machine.

Thanks to the existing processors, the industrial PC has sufficient performance reserves for the following applications, among others:

- diverse automation and visualization tasks
- extensive IoT tasks
- HMI applications
- axis control
- short cycle times
- high-volume data handling
- complex diagnostics
- Condition Monitoring tasks
- other PC applications

The basic configuration of the C7015 includes the following aspects:

- Intel® processor
- 1 x push-pull Mini DisplayPort connection, graphic adapter integrated in the Intel® processor
- 3 x 100/1000BASE-T connection, on-board push-pull Ethernet adapter
- M.2-SSD
- 1 x EtherCAT P signal output
- 2 x push-pull USB

3.1 Structure

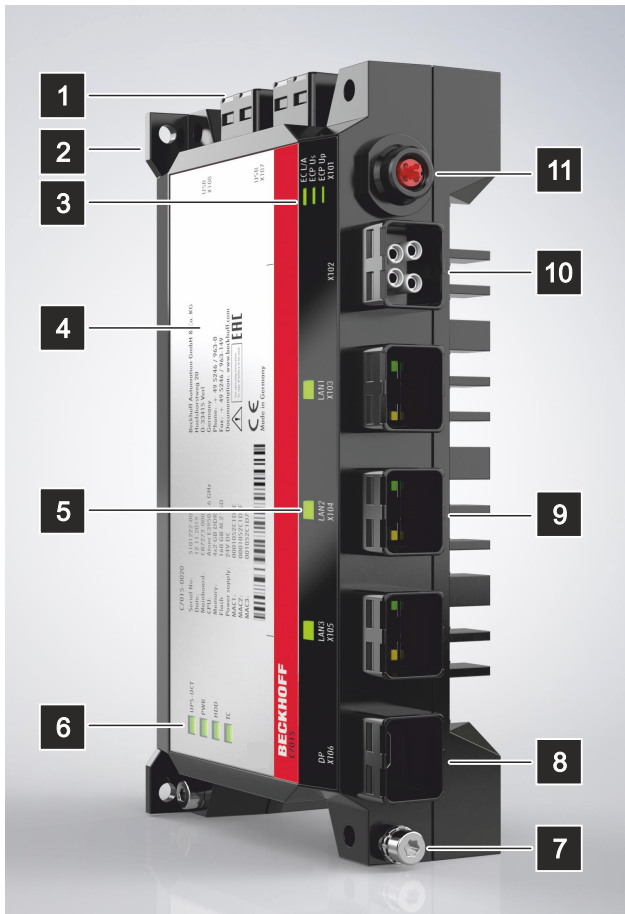


Fig. 1: C7015_structure

Table 1: Key – C7015 structure

| No. | Component | Description |
|-----|--|---|
| 1 | USB interfaces (X107, X108) | Connection of peripheral devices |
| 2 | Flexible mounting concept | For mounting inside or outside the control cabinet via the rear or side panel |
| 3 | EtherCAT P LEDs | Display for Link Activity, system voltage, peripheral voltage |
| 4 | Name plate | Information on the equipment of the industrial PC |
| 5 | Ethernet LEDs | Display of the activity and speed of the Ethernet interfaces |
| 6 | Status LEDs | Status display for UPS-OCT, power, SSD, TwinCAT |
| 7 | Grounding bolt for functional earthing | Functional earthing of the industrial PC |
| 8 | Mini DisplayPort (X106) | Transmission of the video signal |
| 9 | Ethernet interfaces RJ45 (X103-X105) | Connection of the industrial PC to a 100/1000BASE-T network |
| 10 | Power supply (X102) | Connection of the power supply and external wiring of the industrial PC |
| 11 | EtherCAT P interface (X101) | Power supply and communication to EtherCAT P slaves via a cable |

3.2 Interface description

In the basic configuration, the C7015 includes the following interfaces:

- EtherCAT P (X101)
- Power supply (X102)
- Ethernet RJ45 (X103-X105)
- Mini DisplayPort (X106)
- USB (X107, X108)

3.2.1 EtherCAT P

The industrial PC has an EtherCAT P interface (X101). EtherCAT P (EtherCAT + Power) is an extension of the EtherCAT technology in the area of cabling. Via the connector in IP65/67 design, you can use the four-wire Ethernet cable (according to IP65) for data and for two electrically isolated, individually switchable 24 V/ 3 A supplies. This allows you to cascade several EtherCAT devices. For connection and power supply of I/O as well as field devices you only need one cable. Beckhoff recommends the use of the following cable:

- ZK7000-0101-1003

Alternatively, you can use other cables whose length exceeds 20 cm.

A protective cap for the EtherCAT P interface is included in the scope of delivery.

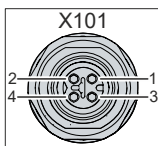


Fig. 2: C7015_EtherCAT P interface pin numbering

Table 2: EtherCAT P interface pin assignment

| Pin | Signal | Description |
|-----|--------|--|
| 1 | Tx + | LAN signal + and GND _s |
| 2 | Rx + | LAN signal + and GND _p |
| 3 | Rx - | LAN signal and peripheral voltage 24 V (U _p) |
| 4 | Tx - | LAN signal and control voltage 24 V (U _s) |

On the housing of the PC there are the three LEDs of the EtherCAT P interface (see Fig. 3). They provide information about the Link Activity (EC L/A), the system voltage (ECP U_s) and the peripheral voltage (ECP U_p).

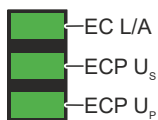


Fig. 3: C7015_EtherCAT P LEDs

The following table shows the meaning of the colors and flashing intervals:

Table 3: LEDs EtherCAT P interface

| LED | Color/flashing interval | Meaning |
|--------------------|-------------------------|----------------------------------|
| EC L/A | yellow on | Connection to network |
| | yellow flashing | Data transmission in progress |
| ECP U _s | green on | Voltage in normal range |
| | red on | Voltage outside the normal range |
| ECP U _p | green on | Voltage in normal range |
| | red on | Voltage outside the normal range |

You can use the Beckhoff Device Manager to switch the system voltage U_s and the peripheral voltage U_p. For more information, refer to Chapter 5 [Beckhoff Device Manager](#) [► 34].

3.2.2 Power supply

The industrial PC is supplied with a nominal voltage of 24 V. The 2x2-pin voltage socket according to IP65/67 (X102) is used for connection to the power supply and the external wiring of the industrial PC. The main supply voltage is applied between PIN 1 (0 V) and PIN 2 (24 V) of the socket.

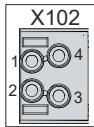


Fig. 4: C7015_voltage socket pin numbering

Table 4: Voltage socket pin assignment

| Pin | Signal | Description |
|-----|--------|---------------------|
| 1 | GND | 0 V |
| 2 | 24 V | Power supply |
| 3 | PC ON | Input PC-ON |
| 4 | P-S | Power status output |

The connector for the power supply is specified for 8 A and can accommodate either wire cross-sections up to 1.5 mm² or up to 2.5 mm² according to your selection. Use 1.5 mm² or 2.5 mm² for long supply lines to achieve a low voltage drop on the supply lines. There should be at least 22 V at the power supply plug of the industrial PC, so that the industrial PC remains switched on during voltage fluctuations.

There is no voltage connector in the scope of delivery of the industrial PC. For the connection of the PC Beckhoff recommends to buy a ready-made cable (see chapter 3.5 [Connection cable and accessories](#) [► 19]).

3.2.3 Ethernet RJ45

The industrial PC has three Gigabit LAN ports according to IP65/67 (X103-X105). The 100Base-T and 1000Base-T Ethernet standards enable the connection of corresponding network components and data rates of 100/1000 Mbit/s. The required speed is selected automatically.

The RJ45 connection technology with twisted-pair cables is used. The maximum length of the cable connection is 100 m.

The industrial PC may only be connected to internal Ethernet networks and not to external telecommunication networks.

The Ethernet ports are suitable for cycle times ≤ 1 ms and for distributed clock applications in EtherCAT.

The Intel® i210 is used as controller.

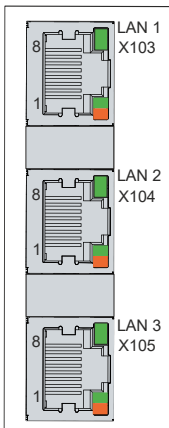


Fig. 5: C7015_Ethernet interfaces pin numbering

Table 5: Ethernet interface pin assignment

| Pin | Signal | Description |
|-----|--------|-------------|
| 1 | T2 + | Pair 2 |
| 2 | T2 - | |
| 3 | T3 + | Pair 3 |
| 4 | T1 + | Pair 1 |
| 5 | T1 - | |
| 6 | T3 - | Pair 3 |
| 7 | T4 - | Pair 4 |
| 8 | T4 - | |

The LEDs of the LAN interfaces indicate the activity and the speed of the data transmission (Mbit/s). The respective upper LED indicates whether the interface is connected to a network. If this is the case, the LED lights up green. The LED flashes when data transmission is in progress on the interface.

The respective lower LED indicates the speed of the data transmission. If the speed is 100 Mbit/s the LED is orange, at 1000 Mbit/s it is green.

Since the LEDs directly at the interface cannot be seen with an existing wiring, the LEDs on the side panel of the PC (see Fig. 6) show the status of the Ethernet interfaces.



Fig. 6: C7015_Ethernet LEDs

3.2.4 Mini DisplayPort

The Industrial PC has a Mini DisplayPort according to IP65/67 (X106) that enables connection of devices with Mini DisplayPort. It facilitates transfer of image signals.

In addition, DVI signals can be transferred via an adapter. Please get in touch with your Beckhoff sales contact.

DisplayPort signals are led out via the interface by default. With the use of a level shifter cable the board switches the DisplayPort specification 1.1 automatically to HDMI signals.

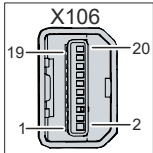


Fig. 7: C7015_Mini DisplayPort pin numbering

Table 6: Mini DisplayPort pin assignment

| Pin | Connection | Pin | Connection |
|-----|---------------|-----|----------------------------|
| 1 | Ground | 2 | Hot Plug Detect |
| 3 | LVDS lane 0 + | 4 | Config 1 |
| 5 | LVDS lane 0 - | 6 | Ground |
| 7 | Ground | 8 | Ground |
| 9 | LVDS lane 1 + | 10 | LVDS lane 3 + |
| 11 | LVDS lane 1 - | 12 | LVDS lane 3 - |
| 13 | Ground | 14 | Ground |
| 15 | LVDS lane 2 + | 16 | AUX channel + |
| 17 | LVDS lane 2 - | 18 | AUX channel - |
| 19 | Ground | 20 | Power supply: 3.3 V/500 mA |

3.2.5 USB

The Industrial PC has two USB 3.0 interfaces (X107, X108) according to IP65/67. They are used to connect peripheral devices with USB interfaces.

Contrary to the specification, the channels only supply current up to 500 mA. For higher power requirements, devices with their own power supply must be used. The USB interfaces are electronically protected.

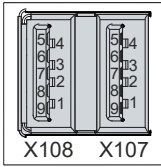


Fig. 8: C7015_USB interfaces pin numbering

Table 7: USB interface pin assignment

| Pin | Connection |
|-----|-------------|
| 1 | Vbus |
| 2 | D - |
| 3 | D + |
| 4 | GND |
| 5 | StdA_SSRX - |
| 6 | StdA_SSRX + |
| 7 | GND_DRAIN |
| 8 | StdA_SSTX - |
| 9 | StdA_SSTX + |

3.3 Status LEDs

The Industrial PC has four status LEDs: UPS-OCT, PWR, HDD, TC. They provide information on the following aspects:

- the transmission quality of the UPS-OCT signals
- the status of the power controller
- the hard disk activity
- the TwinCAT status

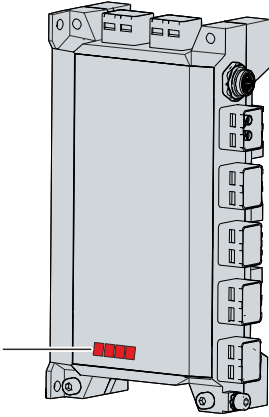


Fig. 9: C7015_Status LEDs

3.3.1 UPS-OCT LED

The UPS-OCT LED indicates the transmission quality of the UPS-OCT signals. UPS stands for the uninterruptible power supply. One-cable technology (OCT) enables the communication between PC and UPS to be transmitted together with the power supply, so that only one cable is required.

The colors and flashing intervals have the following meanings:

Table 8: Meaning of the UPS-OCT LED

| Color | Flashing interval | Meaning |
|--------|-------------------|-------------------------|
| None | Steadily lit | No UPS-OCT connected |
| Blue | Flashing | Bootloader active |
| Yellow | Steadily lit | Moderate signal quality |
| Green | Steadily lit | Good signal quality |
| Red | Steadily lit | Poor signal quality |

3.3.2 PWR LED

The PWR (power) LED indicates the status of the power controller. The colors and flashing intervals have the following meanings:

Table 9: Meaning of the PWR LED

| Color | Flashing interval | Meaning |
|--------------|-------------------|--|
| None | Steadily lit | PC is off |
| White | Steadily lit | VCC power fail |
| Magenta | Steadily lit | S UPS active (if existent) |
| Yellow | Steadily lit | Windows shut down, supply voltage still present |
| Green | Steadily lit | Normal operation |
| Red | Steadily lit | Reset/power fail |
| Green/yellow | Flashing | Bootloader running without error |
| Red/yellow | Flashing | Bootloader is starting (start sequence is being run through) |
| Magenta | Flashing (0.5 s) | S UPS capacitance test (if S UPS exists) |
| Red/magenta | Flashing | Checksum error during the I2C transmission in the bootloader |
| Cyan | Flashing (2 s) | contact Beckhoff Service |

3.3.3 HDD LED

The HDD LED indicates the activity of the storage medium. The colors and flashing intervals have the following meanings:

Table 10: Meaning of the HDD LED

| Color | Flashing interval | Meaning |
|-------|-------------------|-------------------------------------|
| Red | Flashing | Activity (access to storage medium) |

3.3.4 TC LED

The TC LED indicates the TwinCAT status. The colors and flashing intervals have the following meanings:

Table 11: Meaning of the TC LED

| Color | Flashing interval | Meaning |
|-------|-------------------|---------------------|
| Green | Steadily lit | TwinCAT Run Mode |
| Blue | Steadily lit | TwinCAT Config Mode |
| Red | Steadily lit | TwinCAT Stop |
| - | - | TwinCAT not started |

3.4 Name plate

The name plate provides information on the equipment fitted to the Industrial PC. The name plate shown here serves only as an example.

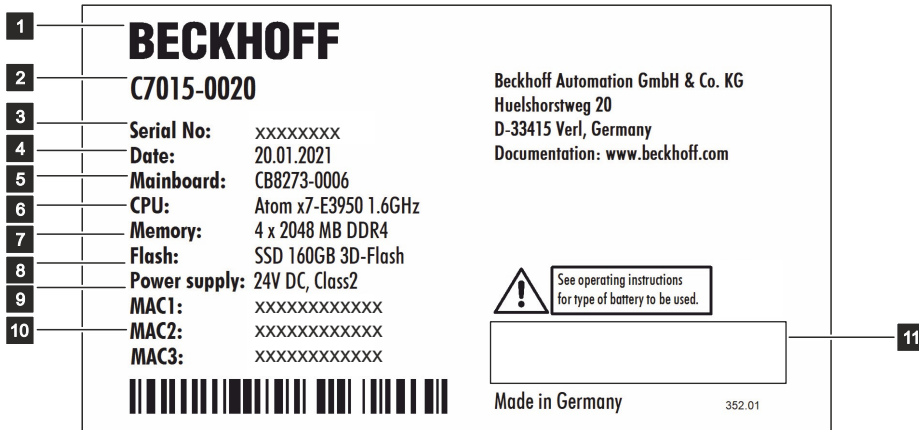



Fig. 10: C7015_name plate

Table 12: Key - C7015 name plate

| No. | Description |
|-----|---|
| 1 | Manufacturer, including address |
| 2 | Model: the last four digits indicate the product variant. |
| 3 | Serial number (BTN) |
| 4 | Date of manufacture |
| 5 | Mainboard |
| 6 | CPU |
| 7 | Main memory |
| 8 | Storage media |
| 9 | Power supply: 24 V _{DC} , NEC class 2 |
| 10 | MAC addresses of the Ethernet interfaces (X103-X105) |
| 11 | Symbols |

Note: here are the symbols applicable to the device such as CE, EAC, UKCA, . The approvals of your device can be found on the name plate and in chapter 10.2 Approvals.

3.5 Connection cable and accessories

For the connection of your Industrial PC there are some ready-made cables available.

The following ready-made cables can be ordered from your Beckhoff Sales.

Table 13: Network cable

| Order number | Network cable |
|--------------|--|
| C9900-K948 | Industrial Ethernet/EtherCAT cable, PUR, 4 x 2 x AWG26/7, fixed installation, green, Cat.6A, push-pull V4, RJ45, plug, straight, IP65/67, 8-pin - push-pull V4, RJ45, plug, straight, IP65/67, 0.50 m |
| C9900-K949 | Industrial Ethernet/EtherCAT cable, PUR, 4 x 2 x AWG26/7, fixed installation, green, Cat.6A, push-pull V4, RJ45, plug, straight, IP65/67, 8-pin - push-pull V4, RJ45, plug, straight, IP65/67, 1.00 m |
| C9900-K950 | Industrial Ethernet/EtherCAT cable, PUR, 4 x 2 x AWG26/7, fixed installation, green, Cat.6A, push-pull V4, RJ45, plug, straight, IP65/67, 8-pin - push-pull V4, RJ45, plug, straight, IP65/67, 3.00 m |
| C9900-K951 | Industrial Ethernet/EtherCAT cable, PUR, 4 x 2 x AWG26/7, fixed installation, green, Cat.6A, push-pull V4, RJ45, plug, straight, IP65/67, 8-pin - push-pull V4, RJ45, plug, straight, IP65/67, 5.00 m |
| C9900-K952 | Industrial Ethernet/EtherCAT cable, PUR, 4 x 2 x AWG26/7, fixed installation, green, Cat.6A, push-pull V4, RJ45, plug, straight, IP65/67, 8-pin - push-pull V4, RJ45, plug, straight, IP65/67, 7.50 m |
| C9900-K953 | Industrial Ethernet/EtherCAT cable, PUR, 4 x 2 x AWG26/7, fixed installation, green, Cat.6A, push-pull V4, RJ45, plug, straight, IP65/67, 8-pin - push-pull V4, RJ45, plug, straight, IP65/67, 10.00 m |
| C9900-K954 | Industrial Ethernet/EtherCAT cable, PUR, 4 x 2 x AWG26/7, fixed installation, green, Cat.6A, push-pull V4, RJ45, plug, straight, IP65/67, 8-pin - push-pull V4, RJ45, plug, straight, IP65/67, 15.00 m |
| C9900-K955 | Industrial Ethernet/EtherCAT cable, PUR, 4 x 2 x AWG26/7, fixed installation, green, Cat.6A, push-pull V4, RJ45, plug, straight, IP65/67, 8-pin - push-pull V4, RJ45, plug, straight, IP65/67, 20.00 m |
| C9900-K956 | Industrial Ethernet/EtherCAT cable, PUR, 4 x 2 x AWG26/7, fixed installation, green, Cat.6A, push-pull V4, RJ45, plug, straight, IP65/67, 8-pin - push-pull V4, RJ45, plug, straight, IP65/67, 30.00 m |
| C9900-K957 | Industrial Ethernet/EtherCAT cable, PUR, 4 x 2 x AWG26/7, fixed installation, green, Cat.6A, push-pull V4, RJ45, plug, straight, IP65/67, 8-pin - push-pull V4, RJ45, plug, straight, IP65/67, 40.00 m |
| C9900-K958 | Industrial Ethernet/EtherCAT cable, PUR, 4 x 2 x AWG26/7, fixed installation, green, Cat.6A, push-pull V4, RJ45, plug, straight, IP65/67, 8-pin - push-pull V4, RJ45, plug, straight, IP65/67, 50.00 m |

| | |
|------------|---|
| C9900-K959 | Industrial Ethernet/EtherCAT cable, PUR, 4 x 2 x AWG26/7, fixed installation, green, Cat.6A, push-pull V4, RJ45, plug, straight, IP65/67, 8-pin - RJ45, plug, straight, IP20, 0.50 m |
| C9900-K960 | Industrial Ethernet/EtherCAT cable, PUR, 4 x 2 x AWG26/7, fixed installation, green, Cat.6A, push-pull V4, RJ45, plug, straight, IP65/67, 8-pin - RJ45, plug, straight, IP20, 1.00 m |
| C9900-K961 | Industrial Ethernet/EtherCAT cable, PUR, 4 x 2 x AWG26/7, fixed installation, green, Cat.6A, push-pull V4, RJ45, plug, straight, IP65/67, 8-pin - RJ45, plug, straight, IP20, 3.00 m |
| C9900-K962 | Industrial Ethernet/EtherCAT cable, PUR, 4 x 2 x AWG26/7, fixed installation, green, Cat.6A, push-pull V4, RJ45, plug, straight, IP65/67, 8-pin - RJ45, plug, straight, IP20, 5.00 m |
| C9900-K963 | Industrial Ethernet/EtherCAT cable, PUR, 4 x 2 x AWG26/7, fixed installation, green, Cat.6A, push-pull V4, RJ45, plug, straight, IP65/67, 8-pin - RJ45, plug, straight, IP20, 7.50 m |
| C9900-K964 | Industrial Ethernet/EtherCAT cable, PUR, 4 x 2 x AWG26/7, fixed installation, green, Cat.6A, push-pull V4, RJ45, plug, straight, IP65/67, 8-pin - RJ45, plug, straight, IP20, 10.00 m |
| C9900-K965 | Industrial Ethernet/EtherCAT cable, PUR, 4 x 2 x AWG26/7, fixed installation, green, Cat.6A, push-pull V4, RJ45, plug, straight, IP65/67, 8-pin - RJ45, plug, straight, IP20, 15.00 m |
| C9900-K966 | Industrial Ethernet/EtherCAT cable, PUR, 4 x 2 x AWG26/7, fixed installation, green, Cat.6A, push-pull V4, RJ45, plug, straight, IP65/67, 8-pin - RJ45, plug, straight, IP20, 20.00 m |
| C9900-K967 | Industrial Ethernet/EtherCAT cable, PUR, 4 x 2 x AWG26/7, fixed installation, green, Cat.6A, push-pull V4, RJ45, plug, straight, IP65/67, 8-pin - RJ45, plug, straight, IP20, 30.00 m |
| C9900-K968 | Industrial Ethernet/EtherCAT cable, PUR, 4 x 2 x AWG26/7, fixed installation, green, Cat.6A, push-pull V4, RJ45, plug, straight, IP65/67, 8-pin - RJ45, plug, straight, IP20, 40.00 m |
| C9900-K969 | Industrial Ethernet/EtherCAT cable, PUR, 4 x 2 x AWG26/7, fixed installation, green, Cat.6A, push-pull V4, RJ45, plug, straight, IP65/67, 8-pin - RJ45, plug, straight, IP20, 50.00 m |

Table 14: USB cables

| Order number | USB cables |
|--------------|--|
| C9900-K939 | USB cable, shielded, PVC, 4 x AWG26 + 2 x AWG28 + 2 x AWG22, fixed installation, black, push-pull V4, USB-A, 3.0, plug, straight, IP65/67 - USB-B, 3.0, plug, straight, IP20, 1.00 m |
| C9900-K940 | USB cable, shielded, PVC, 4 x AWG26 + 2 x AWG28 + 2 x AWG22, fixed installation, black, push-pull V4, USB-A, 3.0, plug, straight, IP65/67 - USB-B, 3.0, plug, straight, IP20, 3.00 m |
| C9900-K941 | USB cable, shielded, PVC, 4 x AWG26 + 2 x AWG28 + 2 x AWG22, fixed installation, black, push-pull V4, USB-A, 3.0, plug, straight, IP65/67 - USB-B, 3.0, plug, straight, IP20, 5.00 m |
| C9900-K942 | USB cable, shielded, PVC, 2 x AWG26 + 2 x AWG24, fixed installation, black, push-pull V4, USB-A, 2.0, plug, straight, IP65/67 - USB-B, 2.0, plug, straight, IP20, 1.00 m |
| C9900-K943 | USB cable, shielded, PVC, 2 x AWG26 + 2 x AWG24, fixed installation, black, push-pull V4, USB-A, 2.0, plug, straight, IP65/67 - USB-B, 2.0, plug, straight, IP20, 3.00 m |
| C9900-K944 | USB cable, shielded, PVC, 2 x AWG26 + 2 x AWG24, fixed installation, black, push-pull V4, USB-A, 2.0, plug, straight, IP65/67 - USB-B, 2.0, plug, straight, IP20, 5.00 m |
| C9900-K986 | USB cable shielded, PVC, 2 x AWG26 + 2 x AWG24, fixed installation, black, push-pull V4, USB-A, 3.0, plug, straight, IP65/67 - USB-A, 3.0, plug, straight, IP20, 1.00 m |
| C9900-K987 | USB cable shielded, PVC, 2 x AWG26 + 2 x AWG24, fixed installation, black, push-pull V4, USB-A, 3.0, plug, straight, IP65/67 - USB-A, 3.0, plug, straight, IP20, 3.00 m |
| C9900-K988 | USB cable shielded, PVC, 2 x AWG26 + 2 x AWG24, fixed installation, black, push-pull V4, USB-A, 3.0, plug, straight, IP65/67 - USB-A, 3.0, plug, straight, IP20, 5.00 m |
| C9900-K989 | USB cable shielded, PVC, 2 x AWG26 + 2 x AWG24, fixed installation, black, push-pull V4, USB-A, 3.0, plug, straight, IP65/67 - push-pull V4, USB-A, 3.0, plug, straight, IP65/67, 1.00 m |
| C9900-K990 | USB cable shielded, PVC, 2 x AWG26 + 2 x AWG24, fixed installation, black, push-pull V4, USB-A, 3.0, plug, straight, IP65/67 - push-pull V4, USB-A, 3.0, plug, straight, IP65/67, 3.00 m |
| C9900-K991 | USB cable shielded, PVC, 2 x AWG26 + 2 x AWG24, fixed installation, black, push-pull V4, USB-A, 3.0, plug, straight, IP65/67 - push-pull V4, USB-A, 3.0, plug, straight, IP65/67, 5.00 m |

Table 15: Power cable

| Order number | Power cable |
|--------------|---|
| C9900-K970 | Power cable, PUR, 4 x 2,50mm ² , drag-chain suitable, black, push-pull V4, power, plug, straight, male, IP65/67, 4-pin - open End, 1.00 m |
| C9900-K971 | Power cable, PUR, 4 x 2,50mm ² , drag-chain suitable, black, push-pull V4, power, plug, straight, male, IP65/67, 4-pin - open End, 3.00 m |
| C9900-K972 | Power cable, PUR, 4 x 2,50mm ² , drag-chain suitable, black, push-pull V4, power, plug, straight, male, IP65/67, 4-pin - open End, 5.00 m |
| C9900-K973 | Power cable, PUR, 4 x 2,50mm ² , drag-chain suitable, black, push-pull V4, power, plug, straight, male, IP65/67, 4-pin - open End, 10.00 m |
| C9900-K974 | Power cable, PUR, 4 x 2,50mm ² , drag-chain suitable, black, push-pull V4, power, plug, straight, male, IP65/67, 4-pin - open End, 15.00 m |
| C9900-K975 | Power cable, PUR, 4 x 2,50mm ² , drag-chain suitable, black, push-pull V4, power, plug, straight, male, IP65/67, 4-pin - open End, 20.00 m |
| C9900-K976 | Power cable, PUR, 4 x 2,50mm ² , drag-chain suitable, black, push-pull V4, power, plug, straight, male, IP65/67, 4-pin - open End, 30.00 m |
| C9900-K977 | Power cable, PUR, 4 x 2,50mm ² , drag-chain suitable, black, push-pull V4, power, plug, straight, male, IP65/67, 4-pin - open End, 40.00 m |
| C9900-K978 | Power cable, PUR, 4 x 1,50mm ² , drag-chain suitable, black, push-pull V4, power, plug, straight, male, IP65/67, 4-pin - open End, 1.00 m |
| C9900-K979 | Power cable, PUR, 4 x 1,50mm ² , drag-chain suitable, black, push-pull V4, power, plug, straight, male, IP65/67, 4-pin - open End, 3.00 m |
| C9900-K980 | Power cable, PUR, 4 x 1,50mm ² , drag-chain suitable, black, push-pull V4, power, plug, straight, male, IP65/67, 4-pin - open End, 5.00 m |
| C9900-K981 | Power cable, PUR, 4 x 1,50mm ² , drag-chain suitable, black, push-pull V4, power, plug, straight, male, IP65/67, 4-pin - open End, 10.00 m |
| C9900-K982 | Power cable, PUR, 4 x 1,50mm ² , drag-chain suitable, black, push-pull V4, power, plug, straight, male, IP65/67, 4-pin - open End, 15.00 m |
| C9900-K983 | Power cable, PUR, 4 x 1,50mm ² , drag-chain suitable, black, push-pull V4, power, plug, straight, male, IP65/67, 4-pin - open End, 20.00 m |
| C9900-K984 | Power cable, PUR, 4 x 1,50mm ² , drag-chain suitable, black, push-pull V4, power, plug, straight, male, IP65/67, 4-pin - open End, 30.00 m |
| C9900-K985 | Power cable, PUR, 4 x 1,50mm ² , drag-chain suitable, black, push-pull V4, power, plug, straight, male, IP65/67, 4-pin - open End, 40.00 m |

Table 16: Display cable

| Order number | Display cable |
|--------------|---|
| C9900-K927 | Display cable, shielded, PVC, fixed installation, black, push-pull V4, mini DisplayPort, plug, straight, IP65/67 - DVI-D, plug, straight, IP20, 1.00 m |
| C9900-K928 | Display cable, shielded, PVC, fixed installation, black, push-pull V4, mini DisplayPort, plug, straight, IP65/67 - DVI-D, plug, straight, IP20, 3.00 m |
| C9900-K929 | Display cable, shielded, PVC, fixed installation, black, push-pull V4, mini DisplayPort, plug, straight, IP65/67 - DVI-D, plug, straight, IP20, 5.00 m |
| C9900-K931 | Display cable, shielded, PVC, fixed installation, black, push-pull V4, mini DisplayPort, plug, straight, IP65/67 - M16, plug, straight, IP65/67, 1.00 m |
| C9900-K932 | Display cable, shielded, PVC, fixed installation, black, push-pull V4, mini DisplayPort, plug, straight, IP65/67 - M16, plug, straight, IP65/67, 3.00 m |
| C9900-K933 | Display cable, shielded, PVC, fixed installation, black, push-pull V4, mini DisplayPort, plug, straight, IP65/67 - M16, plug, straight, IP65/67, 5.00 m |
| C9900-K934 | Display cable, shielded, PVC, fixed installation, black, Mini DisplayPort, plug, PushPull V4, straight, IP65/67 - M16, plug, straight, IP65/67, 19-pin, 10.00 m |

In the event that you carry out the assembly of the cables from the necessary individual parts yourself, you will need the following crimp tool from Harting:

- HPP V4 Power Crimp Tool (order number: 09 46 800 0000)

You can order the following accessories from Beckhoff Sales:

Table 17: Accessories

| Order number | Accessories |
|--------------|---|
| C9900-K935 | Protection cap, plastic, push-pull V4, black, straight, IP65/67, 5 pcs. |
| C9900-K936 | Power plug, field assembly, plastic, 2.5mm ² , AWG14, push-pull V4, power, plug, black/red, straight, male, IP65/67, 4-pole, Crimp, 1 pcs |
| C9900-K937 | Power plug, field assembly, plastic, 1.5mm ² , AWG16, push-pull V4, power, plug, black/red, straight, male, IP65/67, 4-pole, Crimp, 1 pcs |
| C9900-K938 | RJ45 plug, field assembly, shielded, plastic, 0.08...0.22mm ² , AWG28...24, push-pull V4, RJ45, plug, black/red, straight, male, IP65/67, 4-pole, piercing, Ø 4.5...10 mm, 1 pcs |

4 Commissioning

To be able to use the industrial PC, you must first commission it. The first step is to transport the device to its operating location and unpack it. This is followed by installing the device inside or outside a control cabinet, connecting the cables and the power supply, and finally switching on the industrial PC.

4.1 Transport and unpacking

Note the specified transport and storage conditions (see Chapter 9 [Technical data](#) [▶ 44]).

Despite the robust design of the unit, the components are sensitive to strong vibrations and impacts. Transporting a control cabinet with a built-in PC can result in excessive impact on the Industrial PC. During transport the device must therefore be protected from excessive mechanical stress. Appropriate packaging of the Industrial PC, in particular the original packaging, can improve the vibration resistance during transport.

NOTICE

Hardware damage due to condensation

Unfavorable weather conditions during transport can cause damage to the device.

- Protect the device against moisture (condensation) during transport in cold weather or in case of extreme temperature fluctuations.
- Do not put the device into operation until it has slowly adjusted to the room temperature.
- Should condensation occur, wait for about 12 hours before switching the device on.

Unpacking

Proceed as follows to unpack the unit:

1. Check the packaging for transport damage.
2. Remove packaging.
3. Keep the packaging for possible future transport.
4. Check your delivery for completeness by comparing it with your order.
5. Check the contents for visible shipping damage.
6. In case of discrepancies between the package contents and the order, or in case of transport damage, please inform Beckhoff Service (see Chapter 10.1 Service and support).

4.2 Assembly

NOTICE

Incorrect installation

Mounting the device in a way that deviates from the documentation can impair its functionality.

- Mount the device only in the orientations shown in the documents.

The C7015 Industrial PC is designed for flexible and space-saving installation in machine and plant integration. The environmental conditions specified for operation must be observed (see chapter 9 [Technical data](#) [▶ 44]).

With the help of the flexible mounting concept, you can align the cable feed according to the application requirements. The mounting concept allows mounting via the rear panel as well as via the right side panel of the Industrial PC. The C7015 can either be mounted inside a control cabinet or integrated outside a control cabinet on the machine or plant.

Figure 11 shows the flexible mounting concept, which is already mounted ex works.

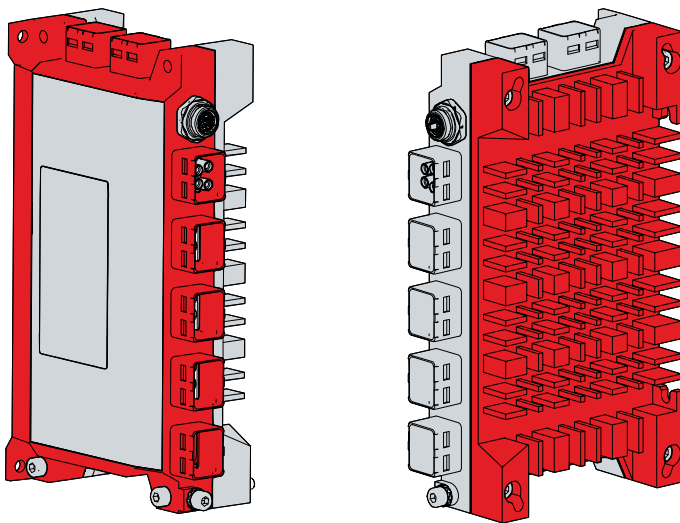


Fig. 11: C7015_flexible mounting concept

4.2.1 Dimensions

The dimensions of the Industrial PC and the mounting concept are used to prepare the control cabinet and to mount the device correctly inside and outside the control cabinet.

All dimensions are in mm.

Figure 12 shows the dimensions of the C7015 with the flexible mounting concept.

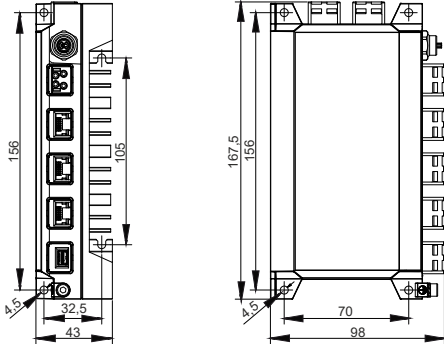


Fig. 12: C7015_dimensions

If you have mounted an EtherCAT P Box module directly on the Industrial PC, this changes the dimensions.

Figure 13 shows the dimensions of the C7015 with mounted EtherCAT P Box module.

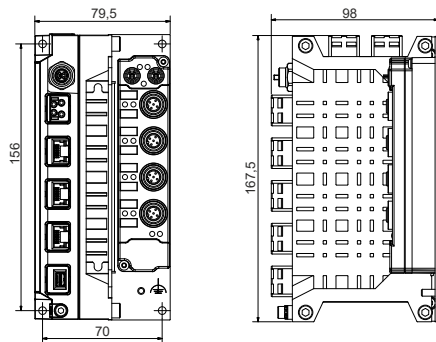


Fig. 13: C7015_dimensions with ECP Box module

4.2.2 Mounting the Industrial PC

NOTICE

Extreme environmental conditions

Extreme environmental conditions can cause damage to the device.

- Avoid extreme environmental conditions.
- Protect the device from moisture and heat.

When installing in the control cabinet, note that there must be 5 cm of free space above and below the device for ventilation of the PC.

Regardless of whether you want to mount the Industrial PC inside or outside a control cabinet, this is done using the flexible mounting concept. In both cases, you must provide the wall intended for mounting with the necessary holes for the fastening screws according to the device dimensions of the PC (see chapter 4.2.1 [Dimensions](#) [▶ 26]). You need M5 screws for mounting.

After you have drilled the holes for the fastening screws on the corresponding wall, you can now mount the Industrial PC using the mounting concept via the rear panel or the side panel.

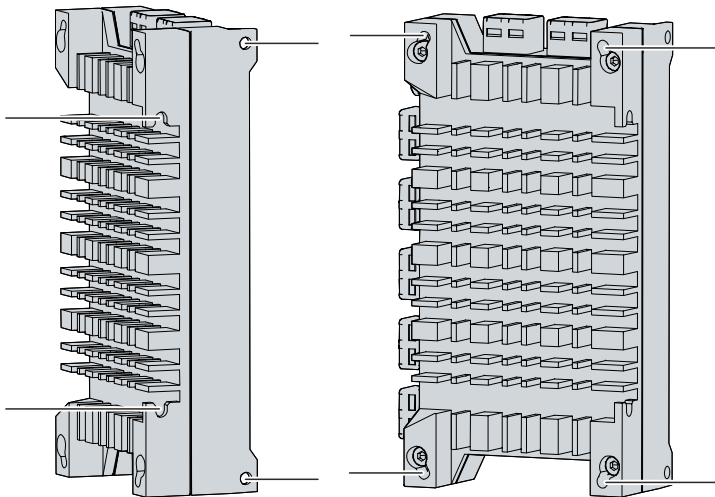


Fig. 14: C7015_Mounting with mounting concept

To install the Industrial PC, follow the steps below:

1. Place the Industrial PC in the desired orientation over the drill holes at the marked points of the mounting concept (see Fig. 14).
 2. Insert the fastening screws one after the other and screw them tight.
- ⇒ You have successfully installed the Industrial PC.

If you have mounted an EtherCAT P Box module directly on the Industrial PC (see chapter 4.2.3 [Mounting EtherCAT P Box module](#) [▶ 29]), you can mount the Industrial PC with the module exclusively via the rear panel (see Fig. 15).

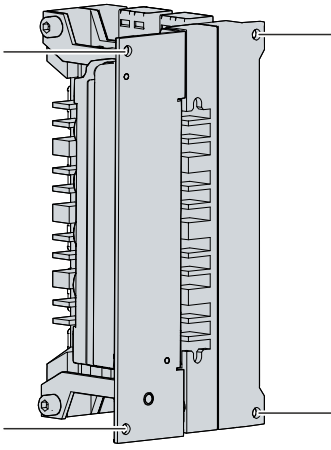


Fig. 15: C7015_Mounting with EtherCAT P Box module

4.2.3 Mounting EtherCAT P Box module

The integrated EtherCAT P connection of the Industrial PC enables you to connect actuators/sensors directly via IP67-protected EtherCAT P Box modules. These act as EtherCAT P slaves, while the C7015 is used as master. For more information on the Box modules, refer to the [EPP1xxx](#) documentation.

You have two options for mounting the modules:

- The separate mounting of the modules in the immediate vicinity of the Industrial PC.
- Direct mounting on the Industrial PC via a separate mounting bracket (order designation: C9900-M688).

To mount the module to the PC using the mounting bracket, follow the steps below, shown in Figure 16:

1. Mount the mounting bracket on the side panel of the Industrial PC using the four M5x8 screws (section A).
2. Mount the module to the mounting bracket using the two M3x16 screws (section B).

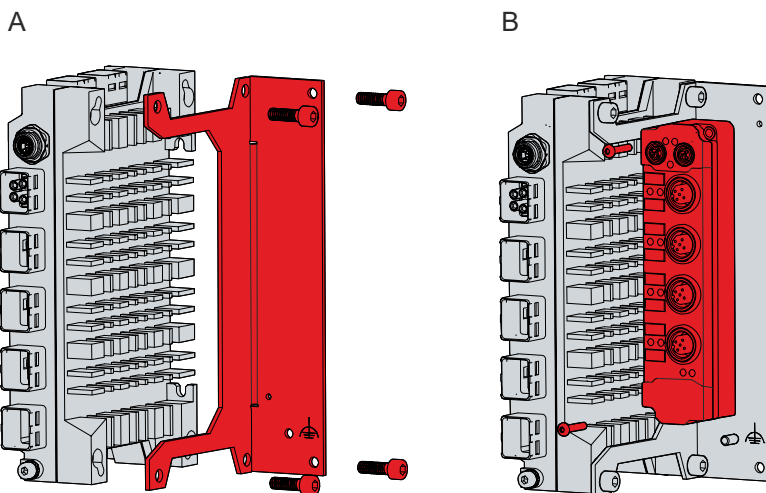


Fig. 16: C7015_Mounting EtherCAT P Box module

⇒ You have mounted the EtherCAT P Box module on the Industrial PC (see Fig. 17).

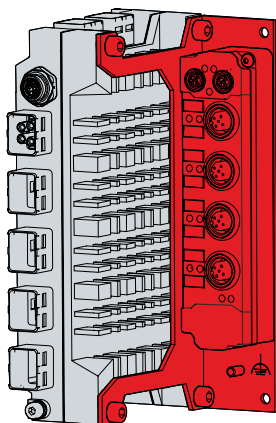


Fig. 17: C7015_EtherCAT P Box module mounted

4.3 Connecting the industrial PC

⚠ CAUTION

Risk of electric shock

Dangerous touch voltages can lead to electric shock. To avoid electric shock, observe the following:

- Never connect or disconnect the device cables during a thunderstorm.
- Provide protective earthing for handling the device.

To prepare the industrial PC for operation, it must be connected. The first step is to ground the device. Then you can connect the cables and the power supply.

An external power supply unit providing 24 V DC (-15 %/+20 %) from an isolated source is required for the power supply. This source must be protected by a UL 248 rated fuse with a maximum rating of 4 A.

The cabling of the industrial PC in the control cabinet must be done in accordance with the standard EN 60204-1:2006 PELV = Protective Extra Low Voltage:

- Standard EN 60204-1:2006, section 6.4.1:b stipulates that one side of the circuit, or a point of the energy source for this circuit must be connected to the protective conductor system.

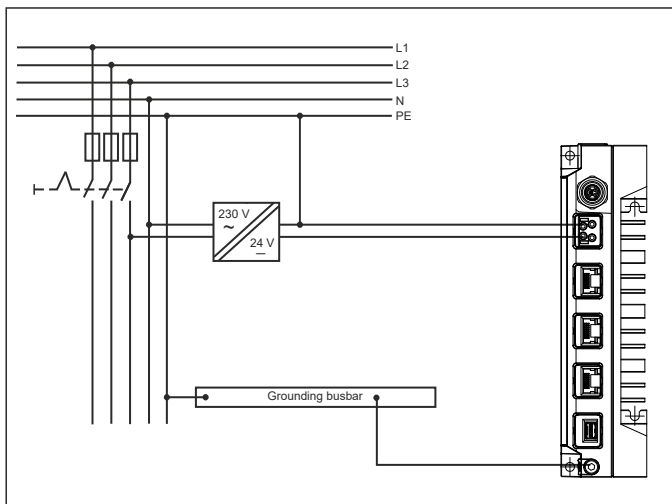


Fig. 18: C7015_wiring example

4.3.1 Grounding of the industrial PC

Potential differences are minimized and electrical currents are diverted to the ground through grounding or potential equalization of electronic devices. This is to avoid electromagnetic interference.

EMC

NOTICE

Hardware damage due to electromagnetic interference

Using the industrial PC without functional earthing can lead to hardware damage due to electromagnetic interference.

- Only use the device with functional earth.

Electromagnetic compatibility (EMC) refers to the industrial PC's ability not to interfere with other devices and equipment through electromagnetic interference, and not to be disturbed by electrical or electromagnetic effects.

For this purpose, the industrial PC must comply with certain protection requirements. The industrial PC has EMC interference immunity according to EN 61000-6-2. The EMC interference emission of the device meets the requirements of EN 61000-6-4.

The functional earth is necessary for the EMC of the device. You establish functional earthing via the grounding connection between the grounding bolt at the bottom of the device (see Fig. 19) and the central grounding point of the control cabinet in which the PC is installed.

Use wires with a cross-section of at least 4 mm² or a flat conductor for the ground connection, as the circumference of the conductor should be as large as possible.

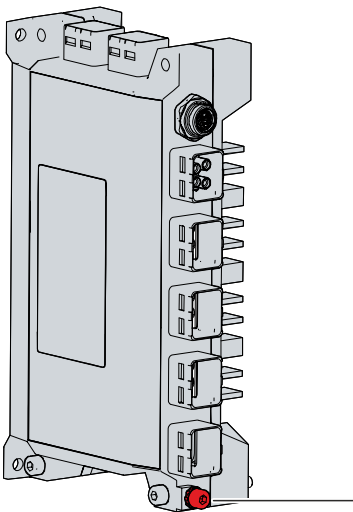


Fig. 19: C7015_grounding bolt functional earthing

4.3.2 Connecting cables and power supply

NOTICE

Incorrect connection procedure

Incorrect procedure when connecting the cables and the power supply can cause hardware damage.

- Follow the documented procedure for connecting the cables and the power supply.
- Always connect all cables first and only then switch on the power supply.
- Please read the documentation for the external devices prior to connecting them.

Connecting cables

The connections are located both in the front and on the top of the industrial PC. They are documented in chapter 3.1 [Structure](#) [► 10].

Make sure that you first ground the PC (see chapter 4.3.1 [Grounding of the industrial PC](#) [► 31]) and then plug in all data transmission cables.

Observe the cable recommendation from Beckhoff when connecting the EtherCAT P interface:

- ZK7000-0101-1003

Alternatively, you can use other cables whose length exceeds 20 cm for this interface.

Connecting the power supply

For the connection of the power supply, you can use cables with a maximum cable cross-section of up to 1.5 mm² or 2.5 mm². Use 1.5 mm² or 2.5 mm² for long supply lines to achieve a low voltage drop on the supply lines. There should be at least 22 V at the voltage connector of the industrial PC, so that the PC remains switched on during voltage fluctuations.

Make sure that the power supply cables are made of copper. Only use power supply cables with a temperature specification of up to 75 °C.

Proceed as follows to connect the 24 V_{DC} power supply unit:

1. Check the correct voltage of your external power supply.
2. Plug the power supply cable into the four-pin push-pull power built-in socket of the industrial PC.
3. Connect the PC to your external 24 V power supply.
4. Switch on the 24 V power supply.
5. Measure the voltage on the power supply plug of the PC.

4.4 Switching the industrial PC on and off

NOTICE

Public networks

Connecting the PC to public networks without additional protective measures can compromise the safety of the device.

- Protect the PC before connecting it to public networks.

NOTICE

Data loss due to switching off the PC while the software is running

Switching off the PC before the running software is terminated and the operating system is shut down can lead to data loss.

- Quit the running software and shut down the operating system before switching off the PC.

The industrial PC is started or switched off when the system is switched on or off or when the power supply to the PC is connected or disconnected.

You can use the PC-ON input of the PC to control the startup and shutdown of the operating system. The PC-ON signal is inverted, which is why the operating system boots up at 0 V at the input and shuts down at 24 V. During operation, 0 V must therefore be permanently applied to the input. If you want to shut down the operating system, you must apply 24 V to the PC-ON input. Once the operating system has shut down, the PC power supply unit sets the Power Status output from 24 V to 0 V. This indicates that the shutdown is complete. You can then switch off the power supply. If you remove the 24 V from the PC-ON input before you have switched off the power supply, the operating system restarts. Therefore, 24 V must be applied to the input until you have switched off the power supply.

To shut down the operating system properly, you can install an additional ON/OFF switch next to the machine's main switch to turn the machine on and off. The main switch can thus remain switched on in principle and thus ensures that the PC is still supplied with power during the shutdown of the operating system. Via the Power Status output, you can switch, for example, a contactor that switches off the entire system. The load capacity of the Power Status output is limited to max. 0.5 A. No fuse protection is required.

Driver installation

When you switch on the PC for the first time, the optionally pre-installed operating system will be started. For any additional hardware you have connected, you have to install the drivers yourself afterwards. In addition, the Beckhoff Device Manager starts automatically. The Device Manager is a software from Beckhoff that supports you in configuring the PC.

If you have ordered the PC without an operating system, you must install this and the driver software for the additional hardware you have connected and for the devices in the PC yourself. Please follow the instructions in the documentation for the operating system and the additional devices.

5 Beckhoff Device Manager

The Beckhoff Device Manager enables detailed system diagnostics with uniform secure access to the existing hardware and software components. System data is recorded, analyzed and evaluated during operation. The data helps to detect deviations at an early stage and prevent PC downtime.

The Beckhoff Device Manager always starts automatically after the industrial PC has been booted. In addition, you have the option of manually starting the previously closed Device Manager at any time.

The industrial PC is delivered with predefined access data as standard:

- User name: Administrator
- Password: 1

You also have the option of using the Beckhoff Device Manager to remotely configure the industrial PC via a web browser. More detailed information is available in the Beckhoff Device Manager [manual](#).

First start Beckhoff Device Manager

When your industrial PC is booted for the first time, the Beckhoff Device Manager also starts automatically for the first time. The Security Wizard opens. This tells you that you should reset the default password set by Beckhoff. Proceed as follows:

1. Click **Next** on the Security Wizard start page.
⇒ This will take you to the **Change Passwords** page:

Fig. 20: Beckhoff Device Manager - Change passwords

2. Enter the access data of the Device Manager on delivery.
3. Choose a secure new password. Instructions for choosing a secure password are given below.
4. Confirm the changes by clicking on the tick in the red box on the right.
5. Exit the Security Wizard.
⇒ You have reached the Device Manager start page.

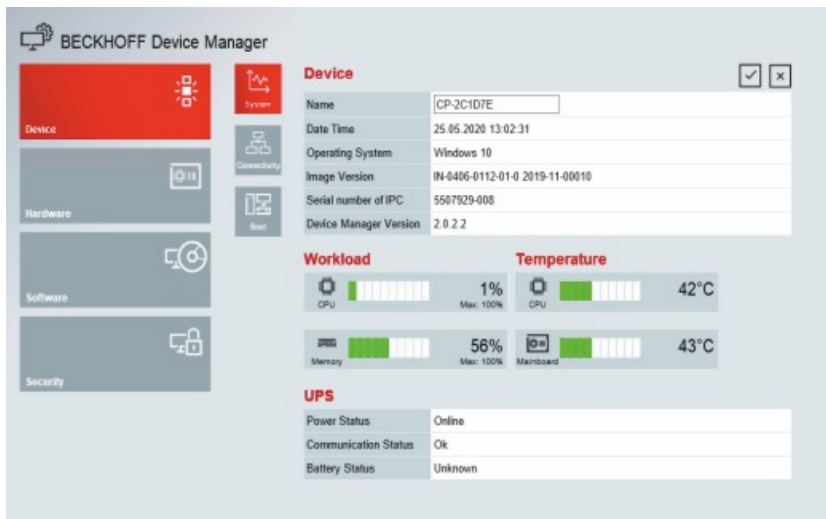


Fig. 21: Beckhoff Device Manager – Start page

Navigate forward in the menu and configure the industrial PC. Note that modifications only become active once they have been confirmed.

Manual start Beckhoff Device Manager

To start the Beckhoff Device Manager manually, proceed as follows:

1. Open a web browser locally on the industrial PC.
2. Enter *localhost/config* in the web browser to start the Beckhoff Device Manager.

The Beckhoff Device Manager starts. The Security Wizard appears.

Secure passwords

Strong passwords are an important prerequisite for a secure system.

Beckhoff supplies the device images with standard user names and standard passwords for the operating system. It is imperative that you change these.

Controllers are shipped without a password in the UEFI/BIOS setup. Beckhoff recommends assigning a password here as well.

Please note the following:

- Passwords should be unique for each user and service.
- Only change passwords after an incident in which passwords have become known without authorization.
- Train the device users in the use of passwords.

A secure password has the following characteristics:

- Password complexity: The password should contain capital and lower-case letters, numbers, punctuation marks and special characters.
- Password length: The password should be at least 10 characters long.

Switching capability Onboard EtherCAT P voltages

Using the Beckhoff Device Manager you can enable and disable the system voltage U_s and the peripheral voltage U_p of the onboard EtherCAT P interface. You can set a state value and a default value for both voltages.

You can set the state value of the voltages at runtime. After a cold start a reset takes place, after a warm start **no** reset takes place.

With the default value of the voltages, you set the value that the voltage has after a cold start. To activate the default value, you must perform a power cycle after setting the value. For the durability of the memory block, note that it may be read cyclically but not written cyclically.

To switch the voltages, follow the steps shown in the figure below:

1. In the left area of the Device Manager, select the **Hardware** tile (1).
 2. In the middle area of the Device Manager, select the **Equipment** tile (2).
 3. Select either **Enabled** or **Disabled** for the state and default values of the voltages (3).
 4. Confirm your selection by clicking on the checkmark on the right (4).
- ⇒ You have switched the voltages.

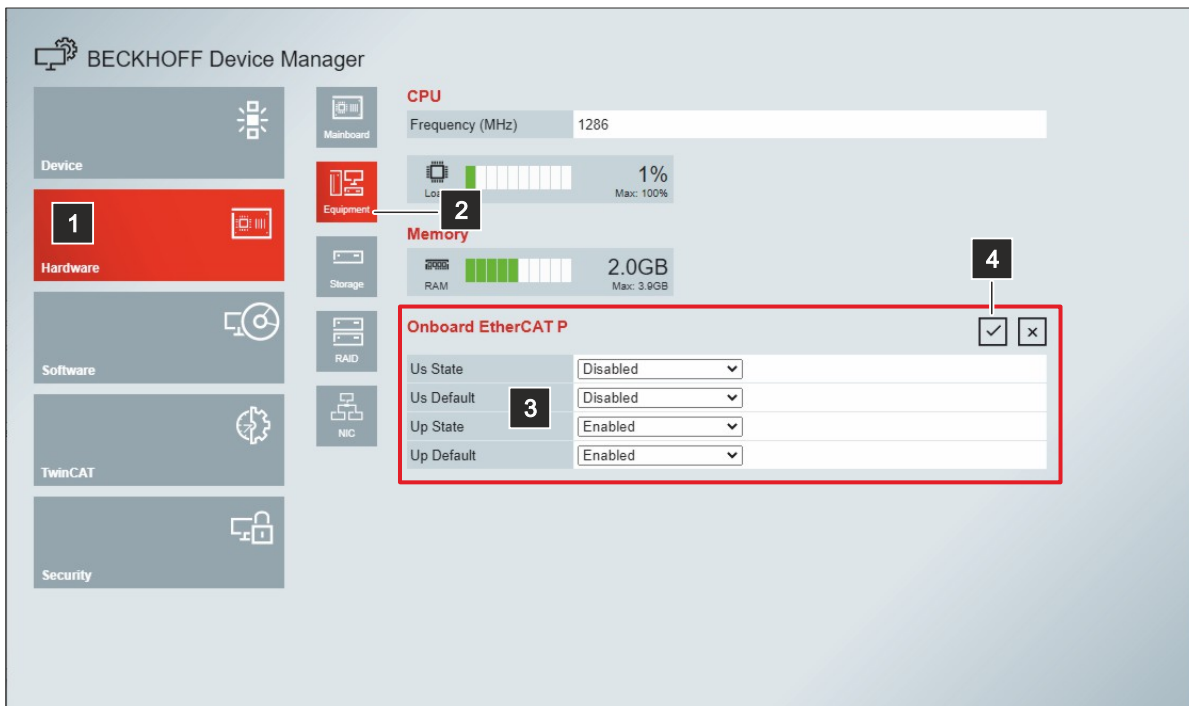


Fig. 22: Beckhoff Device Manager - Onboard EtherCAT P

Further interfaces for switching U_s and U_p , for example directly from the TwinCAT application, can be found in the [manual](#) for the Beckhoff Device Manager.

6 Decommissioning

NOTICE

Hardware damage due to power supply

A connected power supply can cause damage to the industrial PC during disassembly.

- Disconnect the power supply from the device before starting to disassemble it.

When taking the industrial PC out of operation, you must first disconnect the power supply and cables. You can then dismantle the device.

If you do not want to continue using the industrial PC, Chapter 6.2 [Disassembly and disposal](#) [► 38] provides information on the correct disposal of the device.

6.1 Disconnecting the power supply and cables

⚠ CAUTION

Risk of electric shock

Disconnecting the industrial PC during a thunderstorm can lead to electric shock.

- Never disconnect the cables of the industrial PC during a thunderstorm.

Before you remove the industrial PC, you must disconnect the power supply and the cables. Follow the steps below:

1. Shut down the operating system.
 2. Disconnect the PC from your external 24 V power supply.
 3. Pull the power cable out of the 4-pin push-pull built-in power socket of the industrial PC.
 4. Make a note of the wiring of all data transmission cables if you want to restore the cabling with another device.
 5. Disconnect the data transmission cables from the industrial PC.
 6. Finally, disconnect the ground connection.
- ⇒ You have disconnected the power supply and the cables.

6.2 Disassembly and disposal

Before you can remove the industrial PC, you must first disconnect the power supply and the cables (see chapter 6.1 [Disconnecting the power supply and cables](#) [▶ 37]).

Regardless of whether you have mounted the industrial PC inside or outside a control cabinet, you must proceed in the same way for disassembly. To do this, loosen the fastening screws at the marked points (see Fig. 23) with which the mounting concept is fixed to the wall. Be sure to hold the device while loosening and removing the screws.

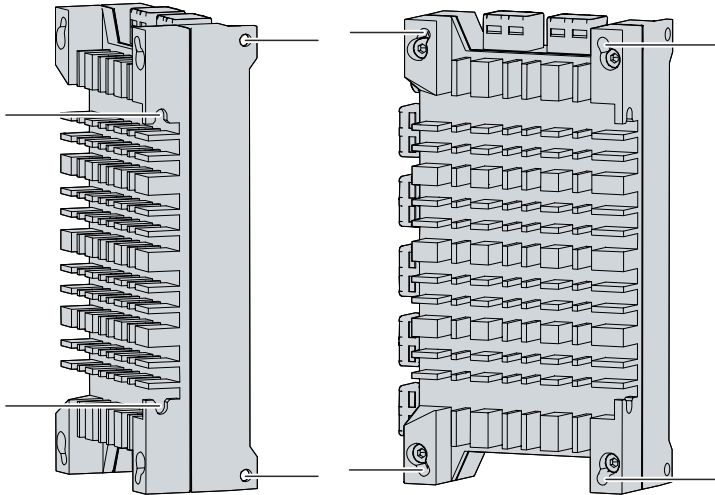


Fig. 23: C7015_Disassembly with mounting concept

Disassembly EtherCAT P Box module

If you have mounted the EtherCAT P Box module directly at the PC, you have to follow the following steps for disassembly (see Fig. 24):

1. Loosen the two M3x16 screws securing the module to the mounting rail (section A).
 2. Remove the module (section B).
 3. Loosen the four M5x16 screws that secure the mounting rail to the side panel of the PC (section C).
 4. Remove the mounting rail (section D).
- ⇒ You have disassembled the EtherCAT P Box module.

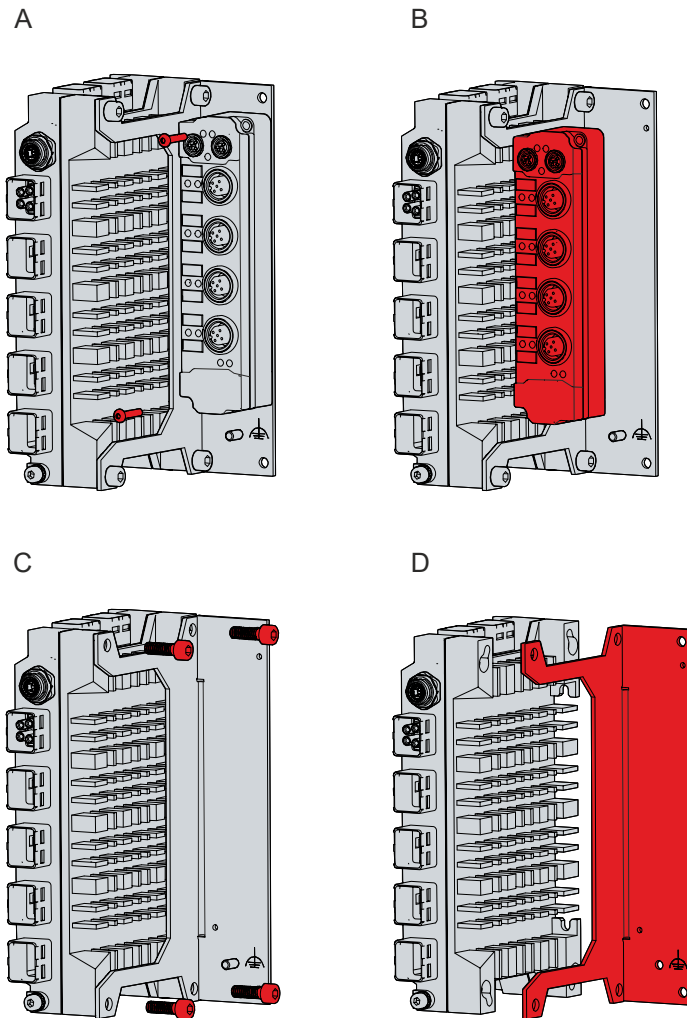


Fig. 24: C7015_Disassembly EtherCAT P Box module

Disposal of the industrial PC

Be sure to observe the national electronic scrap regulations when disposing of the industrial PC.

In order to dispose of the device, it must be removed and fully dismantled. Dispose of the components in the following way:

- Send plastic parts (polycarbonate, polyamide (PA6.6)) for plastics recycling.
- Take metal parts to the metal recycling collection point.
- Electronic parts such as circuit boards must be disposed of in accordance with national electronics scrap regulations.

7 Maintenance

⚠ CAUTION

Risk of electric shock

Working on the industrial PC while it is live can lead to electric shock.

- Switch off the supply voltage before cleaning the device.

Maintenance measures increase the efficiency of the device by ensuring long-term functionality. Cleaning and maintenance of certain device components and the replacement of other device components contribute to this.

7.1 Cleaning

NOTICE

Unsuitable cleaning agents

The use of unsuitable cleaning agents can damage the device.

- Only clean the Industrial PC as specified.

It is essential to observe the following aspects when cleaning the Industrial PC:

- Always keep the ventilation slots clear.
- Only use a vacuum cleaner to clean the PC. The Industrial PC does not have to be switched off for this.
- Never use compressed air to clean the PC.

7.2 Maintenance

Beckhoff Industrial PCs are manufactured from components of the highest quality and robustness. They are selected and tested for best interoperability, long-term availability and reliable function under the specified environmental conditions.

Nevertheless, some components of the Industrial PC may be subject to a limited service life if they are operated under certain conditions, such as more demanding ambient conditions during operation or during storage, or if they are out of service for long periods of storage.

Beckhoff therefore recommends replacing some of the Industrial PC components after the time after which predictions of the remaining service life of such components can no longer be reliably calculated.

For the C7015, these are the following components:

- Battery
- Storage medium

The following table provides recommendations for regular replacement of PC components:

Table 18: Replacement recommendations for PC components

| Component | Recommendation for replacement intervals (years) |
|-----------------------------|---|
| UPS battery pack | 5 years |
| 2.5-inch hard disk | 5 years or after 20,000 operating hours at more than 40 °C or after 30,000 operating hours at less than 40 °C |
| 3.5-inch hard disk | 5 years, irrespective of the operating hours |
| Fan | 7 years |
| Compact Flash, CFast or SSD | 10 years |
| Motherboard battery | 5 years |

Device components may only be replaced by Beckhoff. Contact Beckhoff Service (see Chap. 10.1 Service and support) to have device components replaced.

ESD protection

| |
|---|
| NOTICE |
| <p>Electrostatic discharge</p> <p>Working on the Industrial PC without ESD protection can lead to functional impairment and destruction of the device.</p> <ul style="list-style-type: none"> • If possible, apply ESD protection measures when working on the Industrial PC. |

When working on electronic devices, there is a risk of damage due to ESD (electrostatic discharge), which can impair the function or destroy the device.

Protect the Industrial PC and create an ESD-protected environment in which any electrostatic charges are discharged to the ground in a controlled manner and charging is prevented.

An ESD-protected environment can best be created by setting up ESD protection zones. The following measures serve this purpose:

- ESD-compliant floors with sufficient conductivity to the reference potential PE;
- ESD-compatible work surfaces such as tables and shelves;
- Wrist grounding strap, especially for sedentary activities;
- grounded and electrostatically dissipating equipment and operating materials (e.g. tools) within the ESD protection zone.

If it is not possible to create an ESD protection zone, you can still protect the device against ESD damage. For example, the following measures can be used:

- Use conductive mats connected to the ground potential as underlays.
- Dissipate possible charges from your own body by touching grounded metal (e.g. control cabinet door).
- Wear a wrist grounding strap.
- Only remove new electronic components from the ESD packaging (tinted plastic bag) after putting on the wrist grounding strap.
- Do not walk around with electronic components in your hand if they are not in ESD packaging.

8 Troubleshooting

Table 19: Troubleshooting

| Fault | Cause | Measures |
|---|---|---|
| Nothing happens after the Industrial PC has been switched on | Missing power supply of the Industrial PC | Check the power supply cable Call Beckhoff Service |
| | Other cause | |
| The Industrial PC does not boot fully | Setup settings are incorrect | Check the setup settings |
| | Other cause | Call Beckhoff Service |
| Computer boots, software starts, but control does not operate correctly | Cause of the fault is either in the software or in parts of the plant outside the Industrial PC | Call the machine and software manufacturer |

9 Technical data

Table 20: Technical data

| Product designation | C7015 |
|---|--|
| Dimensions (W x H x D) | 85 x 167 x 43 mm, without mounting plate |
| Weight | approx. 1000 g |
| Supply voltage | 22-30 V _{DC} (24 V _{DC} power supply unit) NEC class 2 |
| Power consumption | Data sheet power consumption and power loss in the download finder: https://www.beckhoff.com/de-de/support/downloadfinder/suchergebnis/?c-1=40717316 |
| Protection rating | IP65 (not evaluated under UL) |
| Vibration resistance (sinusoidal vibration) | EN 60068-2-6: 10 to 58 Hz: 0.035 mm 58 to 500 Hz: 0.5 G (approx. 5 m/s ²) |
| Shock resistance (shock) | EN 60068-2-27: 5 G (approx. 50 m/s ²), duration: 30 ms |
| EMC interference immunity | conforms to EN 61000-6-2 |
| EMC interference emission | conforms to EN 61000-6-4 |
| Permissible ambient temperature | 0 °C ... +50 °C (operation) -25 °C ... +65 °C (transport / storage) |
| Permissible air humidity | Maximum 95 %, no condensation |
| Transport and storage | The same values for air humidity and shock resistance are to be observed during transport and storage as in operation. The shock resistance during transport can be improved by means of suitably packing the industrial PC. |

10 Appendix

In the appendix you will find information for servicing and details of the approvals that your device has.

10.1 Service and support

Beckhoff and its worldwide branch offices offer comprehensive service and support, providing fast and competent assistance with all issues relating to Beckhoff products and system solutions.

Beckhoff Service

The Beckhoff Service Center supports you in all matters of after-sales service:

- on-site service
- repair service
- spare parts service
- hotline service

Hotline: + 49 5246/963-460
email: service@beckhoff.com

If your device requires service, please indicate the serial number, which you can find on the name plate.

Beckhoff Support

Support offers you comprehensive technical assistance, helping you not only with the application of individual Beckhoff products, but also with other, wide-ranging services:

- World-wide support
- Design, programming and commissioning of sophisticated automation systems
- extensive training program for Beckhoff system components

Hotline: + 49 5246/963-157
email: support@beckhoff.com

Headquarters

Beckhoff Automation GmbH & Co. KG
Hülshorstweg 20
33415 Verl
Germany

Phone: + 49 5246/963-0
email: info@beckhoff.de

The addresses of the worldwide Beckhoff branches and agencies can be found on our website at <http://www.beckhoff.com/>.

You will also find further documentation for Beckhoff components there.

10.2 Approvals

Your device has the following approvals:

- CE
- EAC
- UKCA
- FCC

You will find all other applicable approvals on the name plate of your device.

FCC approvals for the United States of America

FCC: Federal Communications Commission Radio Frequency Interference Statement

This device was tested and complies with the limits for a digital device of class A, according part 15 of the FCC regulations. These limits are designed to provide adequate protection against adverse interference, if the device is used in a commercial environment. This device generates, uses and may emit radio frequency energy and may cause adverse interference with radio communications, if it is not installed and used in accordance with the operating instructions. If this device is used in a residential area it is likely to cause adverse interference, in which case the user must take appropriate countermeasures in order to eliminate the interference at his own expense.

FCC approvals for Canada

FCC: Canadian Notice

This device does not exceed the class A limits for radiation, as specified by the Radio Interference Regulations of the Canadian Department of Communications.

List of figures

| | | |
|---------|---|----|
| Fig. 1 | C7015_structure..... | 10 |
| Fig. 2 | C7015_EtherCAT P interface pin numbering..... | 11 |
| Fig. 3 | C7015_EtherCAT P LEDs..... | 11 |
| Fig. 4 | C7015_voltage socket pin numbering..... | 12 |
| Fig. 5 | C7015_Ethernet interfaces pin numbering..... | 13 |
| Fig. 6 | C7015_Ethernet LEDs..... | 13 |
| Fig. 7 | C7015_Mini DisplayPort pin numbering..... | 14 |
| Fig. 8 | C7015_USB interfaces pin numbering..... | 15 |
| Fig. 9 | C7015_Status LEDs..... | 16 |
| Fig. 10 | C7015_name plate..... | 18 |
| Fig. 11 | C7015_flexible mounting concept..... | 25 |
| Fig. 12 | C7015_dimensions..... | 26 |
| Fig. 13 | C7015_dimensions with ECP Box module..... | 26 |
| Fig. 14 | C7015_Mounting with mounting concept..... | 27 |
| Fig. 15 | C7015_Mounting with EtherCAT P Box module..... | 28 |
| Fig. 16 | C7015_Mounting EtherCAT P Box module..... | 29 |
| Fig. 17 | C7015_EtherCAT P Box module mounted..... | 29 |
| Fig. 18 | C7015_wiring example..... | 30 |
| Fig. 19 | C7015_grounding bolt functional earthing..... | 31 |
| Fig. 20 | Beckhoff Device Manager - Change passwords..... | 34 |
| Fig. 21 | Beckhoff Device Manager – Start page..... | 35 |
| Fig. 22 | Beckhoff Device Manager - Onboard EtherCAT P..... | 36 |
| Fig. 23 | C7015_Disassembly with mounting concept..... | 38 |
| Fig. 24 | C7015_Disassembly EtherCAT P Box module..... | 39 |

List of tables

| | | |
|----------|--|----|
| Table 1 | Key – C7015 structure | 10 |
| Table 2 | EtherCAT P interface pin assignment | 11 |
| Table 3 | LEDs EtherCAT P interface | 12 |
| Table 4 | Voltage socket pin assignment | 12 |
| Table 5 | Ethernet interface pin assignment..... | 13 |
| Table 6 | Mini DisplayPort pin assignment | 14 |
| Table 7 | USB interface pin assignment..... | 15 |
| Table 8 | Meaning of the UPS-OCT LED | 16 |
| Table 9 | Meaning of the PWR LED | 17 |
| Table 10 | Meaning of the HDD LED..... | 17 |
| Table 11 | Meaning of the TC LED..... | 17 |
| Table 12 | Key - C7015 name plate | 18 |
| Table 13 | Network cable | 19 |
| Table 14 | USB cables | 21 |
| Table 15 | Power cable | 22 |
| Table 16 | Display cable..... | 22 |
| Table 17 | Accessories..... | 23 |
| Table 18 | Replacement recommendations for PC components..... | 41 |
| Table 19 | Troubleshooting | 43 |
| Table 20 | Technical data..... | 44 |

More Information:
www.beckhoff.com/C7015/

Beckhoff Automation GmbH & Co. KG
Hülshorstweg 20
33415 Verl
Germany
Phone: +49 5246 9630
info@beckhoff.com
www.beckhoff.com

