

Documentation | EN

KL3356 and KS3356

Accurate 1 Channel Terminals for Resistance Bridges

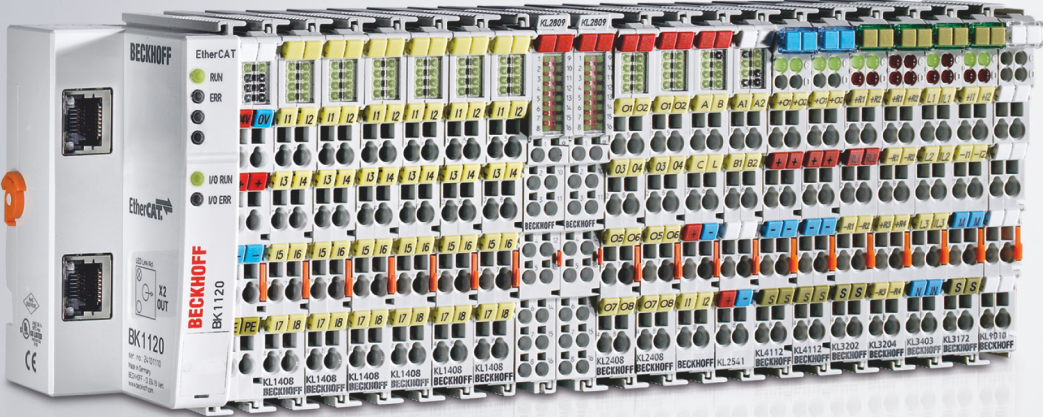


Table of contents

1 Foreword	5
1.1 Notes on the documentation.....	5
1.2 Safety instructions	6
1.3 Documentation issue status	7
2 Product overview	9
2.1 Introduction.....	9
2.2 Technical data	10
2.3 Basic function principles	10
2.4 LEDs.....	15
3 Mounting and wiring	16
3.1 Installation on mounting rails	16
3.2 Installation instructions for enhanced mechanical load capacity	18
3.3 Connection	19
3.3.1 Connection system	19
3.3.2 Wiring.....	21
3.3.3 Shielding	22
3.3.4 Connection.....	23
3.4 Application example	24
3.5 ATEX - Special conditions (standard temperature range).....	25
3.6 Continuative documentation for ATEX and IECEx	26
4 KS2000 Configuration Software	27
4.1 KS2000 - Introduction.....	27
4.2 Parameterization with KS2000	28
4.3 Settings.....	30
4.4 Sample program for KL register communication via EtherCAT on KL3314 exemplary.....	33
5 Access from the user program	36
5.1 Process image.....	36
5.2 Mapping.....	36
5.3 Control and status bytes	38
5.4 Register overview	41
5.5 Register description.....	44
5.6 Examples of Register Communication	52
5.6.1 Example 1: reading the firmware version from Register 9.....	52
5.6.2 Example 2: Writing to an user register.....	52
6 Appendix	56
6.1 Support and Service	56

1 Foreword

1.1 Notes on the documentation

Intended audience

This description is only intended for the use of trained specialists in control and automation engineering who are familiar with the applicable national standards.

It is essential that the documentation and the following notes and explanations are followed when installing and commissioning these components.

It is the duty of the technical personnel to use the documentation published at the respective time of each installation and commissioning.

The responsible staff must ensure that the application or use of the products described satisfy all the requirements for safety, including all the relevant laws, regulations, guidelines and standards.

Disclaimer

The documentation has been prepared with care. The products described are, however, constantly under development.

We reserve the right to revise and change the documentation at any time and without prior announcement.

No claims for the modification of products that have already been supplied may be made on the basis of the data, diagrams and descriptions in this documentation.

Trademarks

Beckhoff®, TwinCAT®, EtherCAT®, EtherCAT G®, EtherCAT G10®, EtherCAT P®, Safety over EtherCAT®, TwinSAFE®, XFC®, XTS® and XPlanar® are registered trademarks of and licensed by Beckhoff Automation GmbH. Other designations used in this publication may be trademarks whose use by third parties for their own purposes could violate the rights of the owners.

Patent Pending

The EtherCAT Technology is covered, including but not limited to the following patent applications and patents: EP1590927, EP1789857, EP1456722, EP2137893, DE102015105702 with corresponding applications or registrations in various other countries.



EtherCAT® is registered trademark and patented technology, licensed by Beckhoff Automation GmbH, Germany.

Copyright

© Beckhoff Automation GmbH & Co. KG, Germany.

The reproduction, distribution and utilization of this document as well as the communication of its contents to others without express authorization are prohibited.

Offenders will be held liable for the payment of damages. All rights reserved in the event of the grant of a patent, utility model or design.

1.2 Safety instructions

Safety regulations

Please note the following safety instructions and explanations!
Product-specific safety instructions can be found on following pages or in the areas mounting, wiring, commissioning etc.

Exclusion of liability

All the components are supplied in particular hardware and software configurations appropriate for the application. Modifications to hardware or software configurations other than those described in the documentation are not permitted, and nullify the liability of Beckhoff Automation GmbH & Co. KG.

Personnel qualification

This description is only intended for trained specialists in control, automation and drive engineering who are familiar with the applicable national standards.

Description of instructions

In this documentation the following instructions are used.
These instructions must be read carefully and followed without fail!

DANGER

Serious risk of injury!

Failure to follow this safety instruction directly endangers the life and health of persons.

WARNING

Risk of injury!

Failure to follow this safety instruction endangers the life and health of persons.

CAUTION

Personal injuries!

Failure to follow this safety instruction can lead to injuries to persons.

NOTE

Damage to environment/equipment or data loss

Failure to follow this instruction can lead to environmental damage, equipment damage or data loss.



Tip or pointer

This symbol indicates information that contributes to better understanding.

1.3 Documentation issue status

Version	Comment
2.4.0	<ul style="list-style-type: none"> • Register description extended • Technical data updated • Application example corrected • New title page
2.3.0	<ul style="list-style-type: none"> • Example program added to chapter <i>KS2000 Configuration software</i> • Design of the safety instructions adapted to IEC 82079-1
2.2.0	<ul style="list-style-type: none"> • Chapter <i>Basic Function Principles</i> updated
2.1.0	<ul style="list-style-type: none"> • Technical data updated
2.0.0	<ul style="list-style-type: none"> • Migration
1.5.0	<ul style="list-style-type: none"> • Description of process image and mapping updated • Register description updated and corrected
1.4	<ul style="list-style-type: none"> • Register description updated • Installation instructions revised
1.3	<ul style="list-style-type: none"> • LED description adapted to redesign with new LED prism (8 LEDs in use) • Register description corrected and extended • Firmware and hardware versions updated
1.2	<ul style="list-style-type: none"> • Images adapted to redesign with LED prism (4 LEDs in use) • Technical data updated
1.1	<ul style="list-style-type: none"> • Description of process data, control and status bytes revised • Calibration stabilization added • Wiring description (power contacts) updated and example added • User calibration added • Description of the KL3356 parameterization with the KS2000 Configuration software updated
1.0	<ul style="list-style-type: none"> • Technical data updated • Basic function principles revised • English translation available
0.4	<ul style="list-style-type: none"> • Register descriptions extended
0.3	<ul style="list-style-type: none"> • Technical data updated • Description of KL3356 parameterization via KS2000 Configuration software added • Register description extended
0.2	<ul style="list-style-type: none"> • Technical data added • Examples for register communication added • Information on installation and connection added
0.1	First preliminary version

Firmware and hardware versions

Documentation Version	KL3356, KS3356	
	Firmware	Hardware
2.4.0	2D	07
2.3.0	2D	06
2.2.0	2D	06
2.1.0	2D	06
2.0.0	2D	06
1.5.0	2D	05
1.4	2B	03
1.3	2B	02
1.2	2A	01
1.1	1F	00
1.0	1A	00
0.4	1A	00
0.3	1A	00
0.2	1A	00
0.1	1A	00

The firmware and hardware versions (delivery state) can be found in the serial number printed on the side of the terminal.

Syntax of the serial number

Structure of the serial number: WW YY FF HH

WW - week of production (calendar week)

YY - year

FF - firmware version

HH - hardware version

Example with serial number 35 04 1A 00:

35 - week of production 35

04 - year of production 2004

1A - firmware version 1A

00 - hardware version 00

2 Product overview

2.1 Introduction

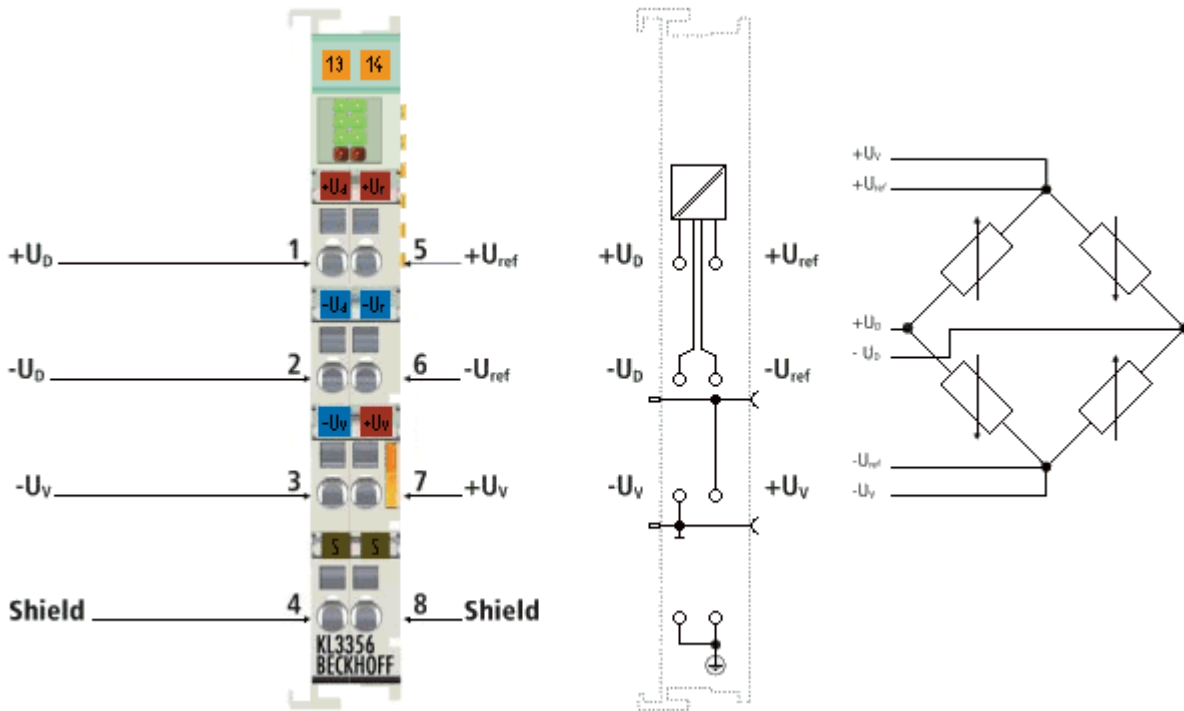


Fig. 1: KL3356

The KL3356 analog input terminal permits direct connection of a resistance bridge. An improved input circuit makes the KL3356 significantly more accurate than the KL3351. The ratio between the bridge voltage U_D and the supply voltage U_{ref} is determined in the input circuit. In order to achieve good long-term stability, the complete circuit is re-calibrated at least every 3 minutes. This procedure can be synchronized by the control in order to prevent the calibration leading to a delay in the production process.

2.2 Technical data

Technical data	KL3356, KS3356
Inputs	2, for one resistor bridge
Signal voltage U_D	-20 mV ... +20 mV
Input resistance (U_D)	>1 M Ω
Supply voltage for the measuring bridge (U_V)	5 V ... 12 V (recommended)
Reference voltage U_{Ref}	max. 12 V
Input resistance (U_{ref})	> 200 k Ω
Resolution	16 bits
Conversion time	< 250 ms, configurable
Measuring error (total measuring range)	$\pm 0.01\%$ of the full scale value, self-calibration
Bit width in the K-bus I/O	2 x 16 bit user data, 2 x 8 bit control/status
Bit width in the input process image	2 data words, 2 status byte
Bit width in the output process image	2 data words, 2 control byte
Power supply for the electronics	via the K-Bus
Current consumption from K-bus	typically 85 mA
Weight	approx. 75 g
Dimensions (W x H x D)	approx. 15 mm x 100mm x 70mm
Mounting [▶ 16]	on 35 mm mounting rail conforms to EN 60715
Pluggable wiring [▶ 19]	at all KSxxxx series terminals
Permissible ambient temperature range during operation	0 °C ... + 55 °C
Permissible ambient temperature range during storage	-25 °C ... + 85 °C
Permissible relative air humidity	95 %, no condensation
Vibration / shock resistance	conforms to EN 60068-2-6/EN 60068-2-27, see also Installation instructions [▶ 18] for enhanced mechanical load capacity
EMC immunity/emission	conforms to EN 61000-6-2 / EN 61000-6-4
Protection class	IP20
Installation position	variable
Approvals / markings	CE, cULus, ATEX [▶ 25]
Ex marking	ATEX: II 3 G Ex nA IIC T4 Gc

2.3 Basic function principles

The KL3356 Analog Input Terminal is used to acquire the supply voltage to a load cell as a reference voltage, and simultaneously the differential voltage that is proportional to the force acting on the cell. The reference and the differential voltages are measured alternately by the same converter. The quotient of the differential and the reference voltages corresponds to the force that is acting on the load cell. Deviations in the analog input stages (temperature drift, long-term drift etc.) are checked by regular calibration, and compensated to bring the measurement within the permitted tolerance range.

Strain gauge measuring signal

The strain gauge measuring signal is acquired at fixed intervals with a resolution of 16 bits (+ sign). This value is saved as a data word, without sign, in register [R2 \[\[▶ 44\]\(#\)\]](#). The sign is represented in bit [SW.0 \[\[▶ 44\]\(#\)\]](#) of the status word.

The length of the sampling interval is directly determined by the filter constant in register [R37 \[\[▶ 48\]\(#\)\]](#).

Strain gauge reference signal

The strain gauge reference signal is also acquired with a resolution of 16 bits (+ sign) at longer intervals. This value is saved as a data word, without sign, in register [R3](#) [[▶ 45](#)]. The sign is represented in bit [SW.1](#) [[▶ 44](#)] of the status word.

The length of the sampling interval is defined, in multiples of 100 ms, in register [R39](#) [[▶ 49](#)].

Calculating the weight

Every time the analog signal is acquired, the weight that it indicates is calculated. This is composed of the ratio between the measuring signal and the reference signal, and of a number of calibrations:

$$Y_R = (U_{Diff} / U_{Ref}) \times (E_{max} / C_n) \times 1000 / 500 \quad (1.0) \quad \text{Calculation of the raw weight value}$$

$$Y_S = Y_R \times A_S \quad (1.1) \quad \text{Scale factor}$$

$$Y_H = Y_S \times A_H + B_H \quad (1.2) \quad \text{Manufacturer scaling}$$

$$Y_{OUT} = Y_H \times A_A + B_A \quad (1.3.0) \quad \text{User scaling (if R32.10 [▶ 47]=0_{bin})}$$

$$Y_{OUT} = (Y_H + B_A) \times A_A \quad (1.3.1) \quad \text{User calibration (if R32.10 [▶ 47]=1_{bin})}$$

Key

Name	Name	Unit	Register
U_{Diff}	Measuring signal from the load cell	[1]	R2 [▶ 44]
U_{Ref}	Reference signal from the load cell	[1]	R3 [▶ 45]
E_{max}	Nominal weight of the load cell	[1 kg]	R35 [▶ 48]
C_n	Nominal parameter of the load cell	[1 mV / V]	R36 [▶ 48]
A_S	Scale factor (can be activated via bit R32.8 [▶ 47] of the feature register)	[1]	R38 [▶ 49]
B_H	Offset of the manufacturer scaling (can be activated via bit R32.1 [▶ 47] of the feature register)	[1]	R19 [▶ 46]
A_H	Gain of the manufacturer scaling (can be activated via bit R32.1 [▶ 47] of the feature register)	[1]	R20 [▶ 46]
B_A	Offset of the user's scaling (can be activated via bit R32.0 [▶ 47] of the feature register)	[1]	R33 [▶ 47]
A_A	Gain of the user's scaling (can be activated via bit R32.0 [▶ 47] of the feature register)	[1]	R34 [▶ 48]

The factor of 1000 in [formula 1.0](#) [[▶ 11](#)] results from normalizing the units of the nominal weight [kg] and the nominal parameter [mV/V]. The factor 1/500 is specified through a voltage divider. The result is written into the terminal's process image with a resolution of 16 bits (+ sign). This value is saved as a data word, without sign, in register [R1](#) [[▶ 44](#)]. The sign is represented in bit [SB1.0](#) [[▶ 38](#)] of the status byte.

Operation modes

The KL3356 provides different operation modes:

Operation mode	Comment
Normal operation	Measuring the force acting on the load cell
Zero calibration	The DC voltage potential at the inputs to the operational amplifier corresponds to that of normal operation. The differential voltage at the two operational amplifier inputs is 0 mV (determination of the zero points).
Final calibration	The DC voltage potential at the inputs to the operational amplifier corresponds to that of normal operation. The divided cell supply voltage (R114, R115, R151) is applied as a differential signal to both the operational amplifier inputs (determination of the amplification factors).
Null-test (0 V)	The DC voltage potential at the operational amplifier inputs is set to 0 V. The differential voltage at the two operational amplifier inputs is 0 mV (first stage in establishing the Common Mode Rejection of the operational amplifiers).
Null-test (2.5 V)	The DC voltage potential at the operational amplifier inputs is set to 2.5 V. The differential voltage at the two operational amplifier inputs is 0 mV (second stage in establishing the Common Mode Rejection of the operational amplifiers).
Reference test	The DC voltage potential at the inputs to the operational amplifier corresponds to that of half the reference voltage. The divided reference voltage (R114, R115, R151) is applied as a differential signal to the two operational amplifier inputs (measurement of the reference voltage).

Switch settings

The various operation modes are selected by means of internal switches:

- Switch SW1 is switched by bit [R32.7](#) [[▶ 47](#)] of the feature register, and is to be closed for all calibration processes:
 - R32.7 = 0: SW1 open
 - R32.7 = 1: SW1 closed
- If manual calibration mode is enabled in the command register [R7](#) [[▶ 45](#)] you can control switches SW2 to SW8 by means of the output data word [RegOUT](#) [[▶ 36](#)].

Operation mode	RegOUT	Switch settings							
		SW1	SW2	SW3	SW4	SW5	SW6	SW7	SW8
Normal operation	0 _{dec}	0 / 1	1	1	0	1	0	1	0
Zero calibration	1 _{dec}	0 / 1	0	1	1	0	0	0	0
Final calibration	2 _{dec}	0 / 1	0	0	1	1	0	1	0
Null-test (0 V)	3 _{dec}	0 / 1	0	0	1	0	0	0	1
Null-test (2.5 V)	4 _{dec}	0 / 1	0	0	1	0	1	0	0
Reference test	5 _{dec}	0 / 1	0	0	1	0	1	0	1

Key

0: switch not connected
1: Switch connected

Calibrating the measuring amplifiers

The measuring amplifiers are periodically subjected to examination and calibration. For this purpose a total of eight analog switches are provided in order to be able to connect the various calibration signals. It is important for this process that the entire signal path, including all passive components, is examined at every phase of the calibration. Only the interference suppression elements (L/C combination) and the analog switches themselves cannot be examined.

The calibration interval is set in register [R40](#) [[▶ 49](#)] in steps of 100 ms. The test interval is specified in register [R41](#) [[▶ 50](#)] as a multiple of the calibration interval.

- In the first phase of the calibration, an input voltage of 0 mV is applied to both analog inputs (zero calibration [▶ 11]). The zero points of both analog input stages can be determined in this way. This involves a system offset calibration of the A/D converter. In this measurement, both the respective absolute values and the mutual deviation of the channels are of interest.
- An input voltage of approx. 24 mV is applied to both analog inputs in the second phase of the calibration (final calibration [▶ 11]). This is derived from the power supply to the load cell. At this point the absolute value of the measurements is no longer an interest, only any possible deviation of the values for the two analog inputs. The gain of the first channel is adjusted here to match that of the second channel. The important point is that the calibrations are carried out using the same DC voltage potential at the inputs to the operational amplifiers, as in a normal measuring operation.

Calibrating the input stages at both working points (the zero point and the final value) allows the straight lines of the two measuring channels to be adjusted to one another so that they are congruent.

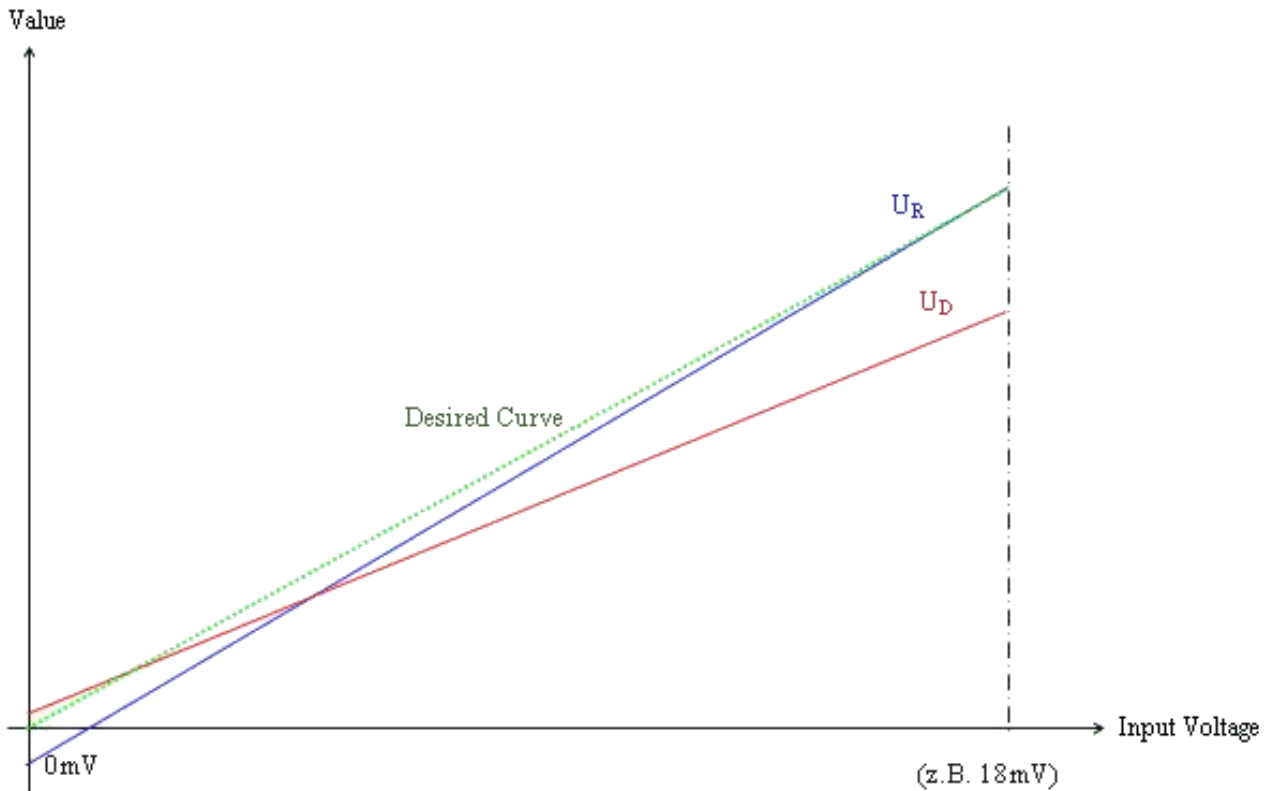


Fig. 2: Characteristic curves for calibration

If the terminal is carrying out a calibration, bit R0.2 [▶ 44] is set in register 0 (the status word).

Testing the measuring amplifiers

In order to be able also to test the function of the analog input circuits and the source of the reference voltage, it is also possible, in addition to the calibration described, to connect the internal reference voltage signal of 2.5 V as the input signal. For this purpose, before measuring the reference voltage itself, a difference voltage signal of 0 V with a DC voltage potential of 0 V is applied. Measurement of the 0 V differential signal combined with a DC voltage potential of 2.5 V is then carried out. With the aid of the measured values resulting from this, the CommonMode effect of the two input stages at an input voltage of 1.25 V can be calculated, and can be taken into account in the subsequent measurement of the reference voltage. When measuring the source of the reference voltage, both operational amplifiers must deliver the same measuring signal, in addition to which it must also be possible to predict the value to within a very tight tolerance. If this tolerance is exceeded, the situation is classified as a hardware defect, and is indicated in bit SW.8 [▶ 44] of the status word.

If the terminal is carrying out a test, bit R0.2 [▶ 44] is set in register 0 (the status word).

Initiating the calibration or test

The calibration and test procedures are executed by the terminal automatically after the times specified in registers R39 to R41 [▶ 49] have elapsed. Bit CB1.1 [▶ 38] of the control byte can be used to block the automatic calibration (this command is acknowledged in bit SB1.1 [▶ 38] of the status byte) in order to prevent calibration from taking place during a time-critical measurement. So that calibration is not completely suppressed in this way, the KL3356 monitors the calibration cycle, and autonomously starts a forced calibration if the block remains in place for too long. The time after which the terminal will carry out this forced calibration is specified in register R44 [▶ 50] as a multiple of register R40 [▶ 49]. At each measurement, the reference voltage is compared with the contents of register R45 [▶ 50] (in units of 1 mV). If it is found to be below this limit, bit R0.14 [▶ 44] is set.

If it is necessary to initiate a test manually, it is started by bit CB1.0 [▶ 38] of the control byte. Completion of a test is signaled by bit R0.4 [▶ 44] in register R0 (the status word). The result of the last test is represented by a difference in the two analog inputs, and can be placed into registers R1 [▶ 44] to R3 [▶ 45] and R5 [▶ 45] by bit CB1.2 [▶ 38] of the control byte. Valid calibration data is present if bit R0.5 [▶ 44] in register 0 (status word) is set to 1_{bin} . Register write protection can be set by bit CB1.3 [▶ 38] to prevent the calibration data from being modified (this is acknowledged by bit SB1.3 [▶ 38])

Manual operation

- Under some circumstances it may be necessary to observe the values from the A/D converter directly. For this purpose the terminal can be switched to *manual operation*. To do this, first enter the user code word (1235_{hex}) in the code word register R31 [▶ 46] to clear write protection from the user register.
- Then enter the value 0401_{hex} into the command register (R7 [▶ 45]) to switch to manual operation. If you enter the value 0 into register R7, *manual operation* is halted once more.

In manual operation, the value in the RegOUT [▶ 36] output word returns the setting of the input switches (see table of *Switch settings* [▶ 12]). You can use bit CB1.1 [▶ 38] of the control byte to switch between OP1 and OP2 (CB1.1=0_{bin}: OP1; CB1.1 =1_{bin}: OP2).

A forced calibration is automatically carried out as soon as you return the terminal to *normal operation* again.

Error diagnosis

The KL3356 offers internal error diagnosis. The upper 8 bits of register R0 [▶ 44] (the status word) indicate errors that have occurred.

So that the user does not have to keep reading register R0, any change in the error bits (if, for instance, a new error has occurred or if an existing error has been cleared) is indicated in bit SB1.6 [▶ 38] of status byte 1. All errors that have occurred are temporarily stored, and are not cleared by the terminal on its own account. By setting bit CB1.6 [▶ 38] in control byte 1 you can reset error bit SB1.6 [▶ 38].

Measured value stabilization

During self-calibration, various signals are switched internally as described above. After the self-calibration has been completed, depending on the setting of R32.9 (stabilization of the calibration), the following behavior occurs:

- Stabilization active (R32.9 = 1): the terminal waits until the signal has stabilized as specified in register R47/ R48 and only then outputs measured values to the bus again - this extends the pause until the terminal measures again and can cause the terminal to wait until measurement in the event of an unstable input signal.
- Stabilization inactive (R32.9 = 0): the terminal immediately switches the measuring signal back to the bus - this can lead to a swing-in process being observed in the measured value over several cycles.

2.4 LEDs

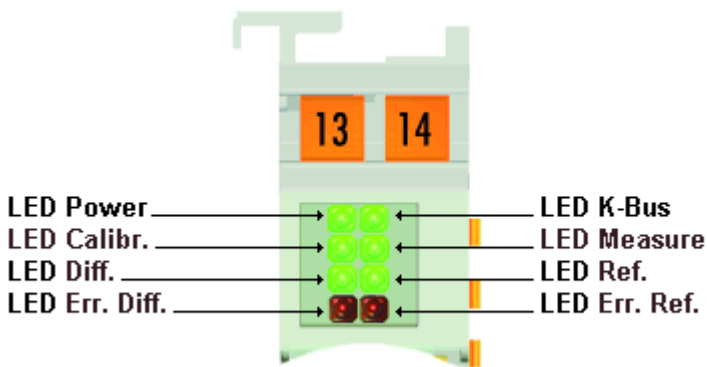


Fig. 3: LEDs

LED	Display	
Power (green)	ON	Power supply (5 V) available on the K-bus
	OFF	No power supply (5 V) available on the K-bus
K-bus (green)	ON	Data transmission on the K-bus is active
	OFF	Data transmission on the K-bus is not active
Calibr. (green)	ON	Calibration active
	OFF	<ul style="list-style-type: none"> • Test active (if Measure LED not lit) or • Measurement active (if Measure LED is lit)
Measure (green)	ON	Measurement active (process data are valid)
	OFF	<ul style="list-style-type: none"> • Calibration active (if LED Calibr. is lit) or • Test active (if Calibr. LED not lit)
Diff. (green)	ON	<ul style="list-style-type: none"> • Differential signal is calibrated (if Calibr. LED is lit) or • Differential signal is checked (if LED Calibr. not lit)
	OFF	
Ref. (green)	ON	<ul style="list-style-type: none"> • Reference signal is calibrated (if Calibr. LED is lit) or • Reference signal is checked (if LED Calibr. not lit)
	OFF	
Err. Diff. (red)	ON	<ul style="list-style-type: none"> • Channel 1 (strain gauge differential signal) is above the valid range (max. 0xFFFF) • Internal reference voltage for channel 1 is missing
	OFF	
Err. Ref (red)	ON	<ul style="list-style-type: none"> • Channel 2 (strain gauge reference signal) is above the valid range (max. 0xFFFF) • Internal reference voltage for channel 2 is missing • Channel 2 is less than about 1 V • No communication with the A/D converter. • Actual value from the test is outside the specified tolerance range
	OFF	

3 Mounting and wiring

3.1 Installation on mounting rails

⚠ WARNING

Risk of electric shock and damage of device!

Bring the bus terminal system into a safe, powered down state before starting installation, disassembly or wiring of the bus terminals!

Assembly

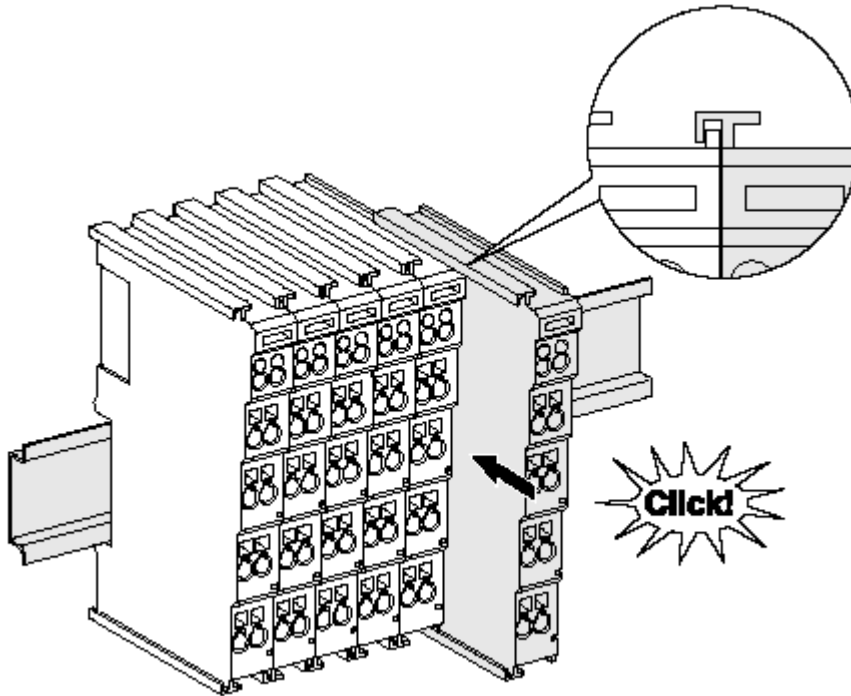


Fig. 4: Attaching on mounting rail

The bus coupler and bus terminals are attached to commercially available 35 mm mounting rails (DIN rails according to EN 60715) by applying slight pressure:

1. First attach the fieldbus coupler to the mounting rail.
2. The bus terminals are now attached on the right-hand side of the fieldbus coupler. Join the components with tongue and groove and push the terminals against the mounting rail, until the lock clicks onto the mounting rail.

If the terminals are clipped onto the mounting rail first and then pushed together without tongue and groove, the connection will not be operational! When correctly assembled, no significant gap should be visible between the housings.

i Fixing of mounting rails

The locking mechanism of the terminals and couplers extends to the profile of the mounting rail. At the installation, the locking mechanism of the components must not come into conflict with the fixing bolts of the mounting rail. To mount the mounting rails with a height of 7.5 mm under the terminals and couplers, you should use flat mounting connections (e.g. countersunk screws or blind rivets).

Disassembly

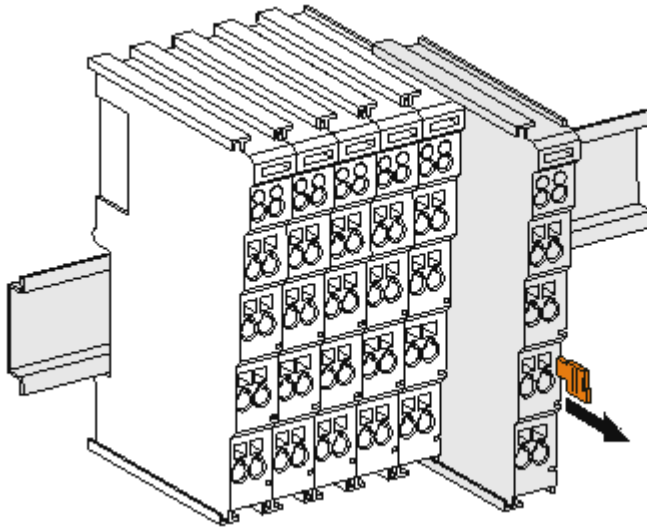


Fig. 5: Disassembling of terminal

Each terminal is secured by a lock on the mounting rail, which must be released for disassembly:

1. Pull the terminal by its orange-colored lugs approximately 1 cm away from the mounting rail. In doing so for this terminal the mounting rail lock is released automatically and you can pull the terminal out of the bus terminal block easily without excessive force.
2. Grasp the released terminal with thumb and index finger simultaneous at the upper and lower grooved housing surfaces and pull the terminal out of the bus terminal block.

Connections within a bus terminal block

The electric connections between the Bus Coupler and the Bus Terminals are automatically realized by joining the components:

- The six spring contacts of the K-Bus/E-Bus deal with the transfer of the data and the supply of the Bus Terminal electronics.
- The power contacts deal with the supply for the field electronics and thus represent a supply rail within the bus terminal block. The power contacts are supplied via terminals on the Bus Coupler (up to 24 V) or for higher voltages via power feed terminals.

i Power Contacts

During the design of a bus terminal block, the pin assignment of the individual Bus Terminals must be taken account of, since some types (e.g. analog Bus Terminals or digital 4-channel Bus Terminals) do not or not fully loop through the power contacts. Power Feed Terminals (KL91xx, KL92xx or EL91xx, EL92xx) interrupt the power contacts and thus represent the start of a new supply rail.

PE power contact

The power contact labeled PE can be used as a protective earth. For safety reasons this contact mates first when plugging together, and can ground short-circuit currents of up to 125 A.

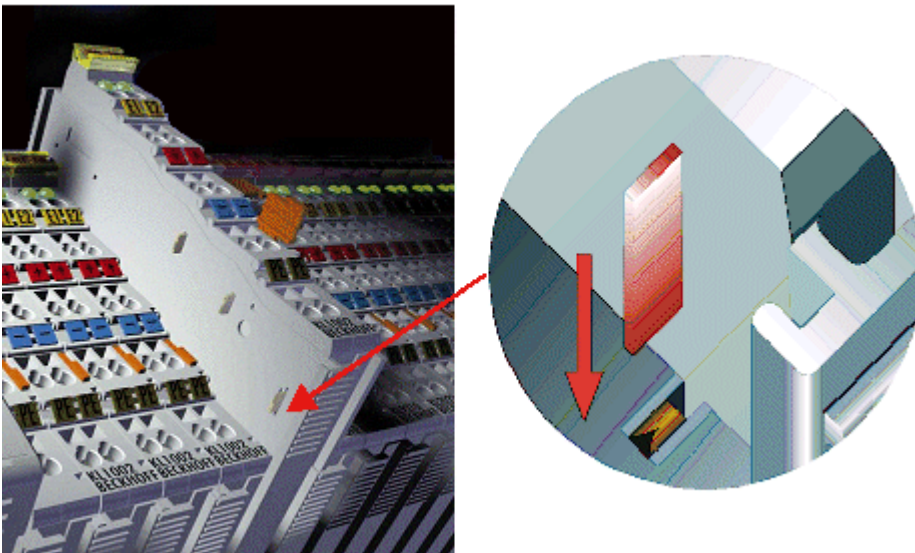


Fig. 6: Power contact on left side

NOTE

Possible damage of the device

Note that, for reasons of electromagnetic compatibility, the PE contacts are capacitatively coupled to the mounting rail. This may lead to incorrect results during insulation testing or to damage on the terminal (e.g. disruptive discharge to the PE line during insulation testing of a consumer with a nominal voltage of 230 V). For insulation testing, disconnect the PE supply line at the Bus Coupler or the Power Feed Terminal! In order to decouple further feed points for testing, these Power Feed Terminals can be released and pulled at least 10 mm from the group of terminals.

⚠ WARNING

Risk of electric shock!

The PE power contact must not be used for other potentials!

3.2 Installation instructions for enhanced mechanical load capacity

⚠ WARNING

Risk of injury through electric shock and damage to the device!

Bring the Bus Terminal system into a safe, de-energized state before starting mounting, disassembly or wiring of the Bus Terminals!

Additional checks

The terminals have undergone the following additional tests:

Verification	Explanation
Vibration	10 frequency runs in 3 axes
	6 Hz < f < 60 Hz displacement 0.35 mm, constant amplitude
	60.1 Hz < f < 500 Hz acceleration 5 g, constant amplitude
Shocks	1000 shocks in each direction, in 3 axes
	25 g, 6 ms

Additional installation instructions

For terminals with enhanced mechanical load capacity, the following additional installation instructions apply:

- The enhanced mechanical load capacity is valid for all permissible installation positions
- Use a mounting rail according to EN 60715 TH35-15
- Fix the terminal segment on both sides of the mounting rail with a mechanical fixture, e.g. an earth terminal or reinforced end clamp
- The maximum total extension of the terminal segment (without coupler) is: 64 terminals (12 mm mounting with) or 32 terminals (24 mm mounting with)
- Avoid deformation, twisting, crushing and bending of the mounting rail during edging and installation of the rail
- The mounting points of the mounting rail must be set at 5 cm intervals
- Use countersunk head screws to fasten the mounting rail
- The free length between the strain relief and the wire connection should be kept as short as possible. A distance of approx. 10 cm should be maintained to the cable duct.

3.3 Connection

3.3.1 Connection system

⚠ WARNING

Risk of electric shock and damage of device!

Bring the bus terminal system into a safe, powered down state before starting installation, disassembly or wiring of the bus terminals!

Overview

The bus terminal system offers different connection options for optimum adaptation to the respective application:

- The terminals of ELxxxx and KLxxxx series with standard wiring include electronics and connection level in a single enclosure.
- The terminals of ESxxxx and KSxxxx series feature a pluggable connection level and enable steady wiring while replacing.
- The High Density Terminals (HD Terminals) include electronics and connection level in a single enclosure and have advanced packaging density.

Standard wiring (ELxxxx / KLxxxx)



Fig. 7: Standard wiring

The terminals of ELxxxx and KLxxxx series have been tried and tested for years. They feature integrated screwless spring force technology for fast and simple assembly.

Pluggable wiring (ESxxxx / KSxxxx)

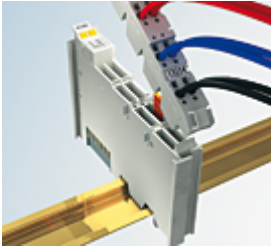


Fig. 8: Pluggable wiring

The terminals of ESxxxx and KSxxxx series feature a pluggable connection level. The assembly and wiring procedure is the same as for the ELxxxx and KLxxxx series. The pluggable connection level enables the complete wiring to be removed as a plug connector from the top of the housing for servicing. The lower section can be removed from the terminal block by pulling the unlocking tab. Insert the new component and plug in the connector with the wiring. This reduces the installation time and eliminates the risk of wires being mixed up.

The familiar dimensions of the terminal only had to be changed slightly. The new connector adds about 3 mm. The maximum height of the terminal remains unchanged.

A tab for strain relief of the cable simplifies assembly in many applications and prevents tangling of individual connection wires when the connector is removed.

Conductor cross sections between 0.08 mm² and 2.5 mm² can continue to be used with the proven spring force technology.

The overview and nomenclature of the product names for ESxxxx and KSxxxx series has been retained as known from ELxxxx and KLxxxx series.

High Density Terminals (HD Terminals)



Fig. 9: High Density Terminals

The terminals from these series with 16 terminal points are distinguished by a particularly compact design, as the packaging density is twice as large as that of the standard 12 mm bus terminals. Massive conductors and conductors with a wire end sleeve can be inserted directly into the spring loaded terminal point without tools.

● Wiring HD Terminals

i The High Density Terminals of the ELx8xx and KLx8xx series doesn't support pluggable wiring.

Ultrasonically "bonded" (ultrasonically welded) conductors

● Ultrasonically "bonded" conductors

i It is also possible to connect the Standard and High Density Terminals with ultrasonically "bonded" (ultrasonically welded) conductors. In this case, please note the tables concerning the wire-size width!

3.3.2 Wiring

⚠ WARNING

Risk of electric shock and damage of device!

Bring the bus terminal system into a safe, powered down state before starting installation, disassembly or wiring of the bus terminals!

Terminals for standard wiring ELxxxx/KLxxxx and for pluggable wiring ESxxxx/KSxxxx

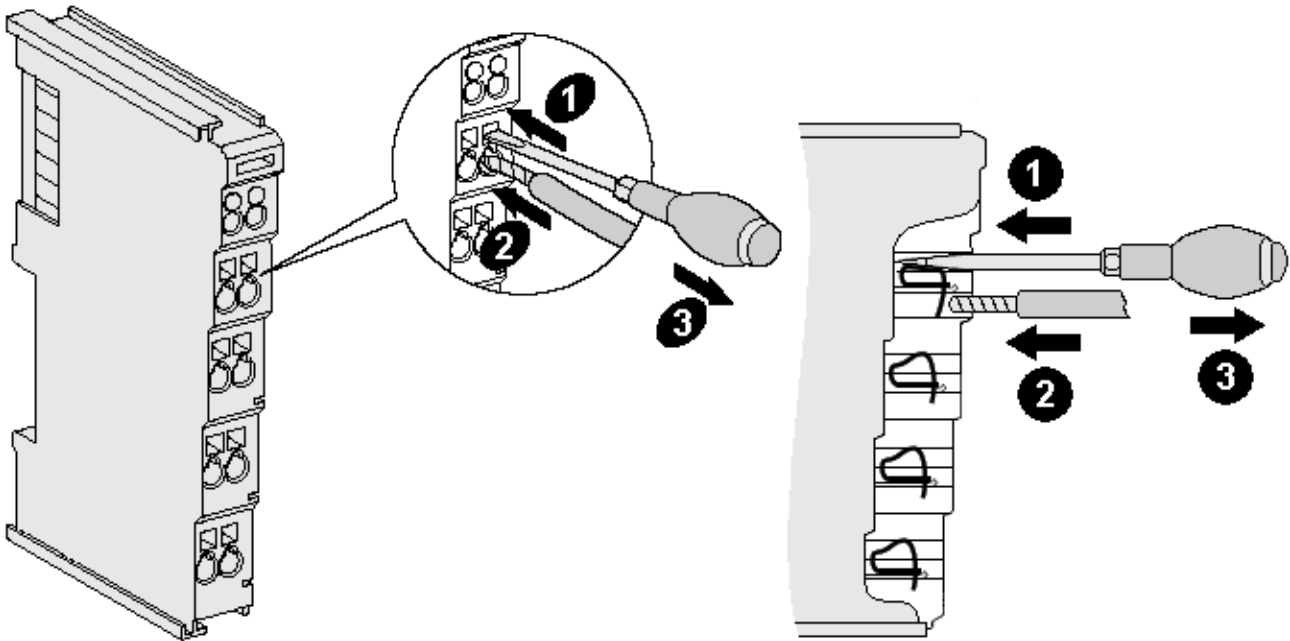


Fig. 10: Connecting a cable on a terminal point

Up to eight terminal points enable the connection of solid or finely stranded cables to the bus terminal. The terminal points are implemented in spring force technology. Connect the cables as follows:

1. Open a terminal point by pushing a screwdriver straight against the stop into the square opening above the terminal point. Do not turn the screwdriver or move it alternately (don't toggle).
2. The wire can now be inserted into the round terminal opening without any force.
3. The terminal point closes automatically when the pressure is released, holding the wire securely and permanently.

See the following table for the suitable wire size width.

Terminal housing	ELxxxx, KLxxxx	ESxxxx, KSxxxx
Wire size width (single core wires)	0.08 ... 2.5 mm ²	0.08 ... 2.5 mm ²
Wire size width (fine-wire conductors)	0.08 ... 2.5 mm ²	0,08 ... 2.5 mm ²
Wire size width (conductors with a wire end sleeve)	0.14 ... 1.5 mm ²	0.14 ... 1.5 mm ²
Wire stripping length	8 ... 9 mm	9 ... 10 mm

High Density Terminals (HD Terminals [▶ 20]) with 16 terminal points

The conductors of the HD Terminals are connected without tools for single-wire conductors using the direct plug-in technique, i.e. after stripping the wire is simply plugged into the terminal point. The cables are released, as usual, using the contact release with the aid of a screwdriver. See the following table for the suitable wire size width.

Terminal housing	High Density Housing
Wire size width (single core wires)	0.08 ... 1.5 mm ²
Wire size width (fine-wire conductors)	0.25 ... 1.5 mm ²
Wire size width (conductors with a wire end sleeve)	0.14 ... 0.75 mm ²
Wire size width (ultrasonically "bonded" conductors)	only 1.5 mm ²
Wire stripping length	8 ... 9 mm

3.3.3 Shielding



Shielding

Encoder, analog sensors and actors should always be connected with shielded, twisted paired wires.

3.3.4 Connection

⚠ WARNING

Risk of injury through electric shock and damage to the device!

Bring the Bus Terminals system into a safe, de-energized state before starting mounting, disassembly or wiring of the Bus Terminals!

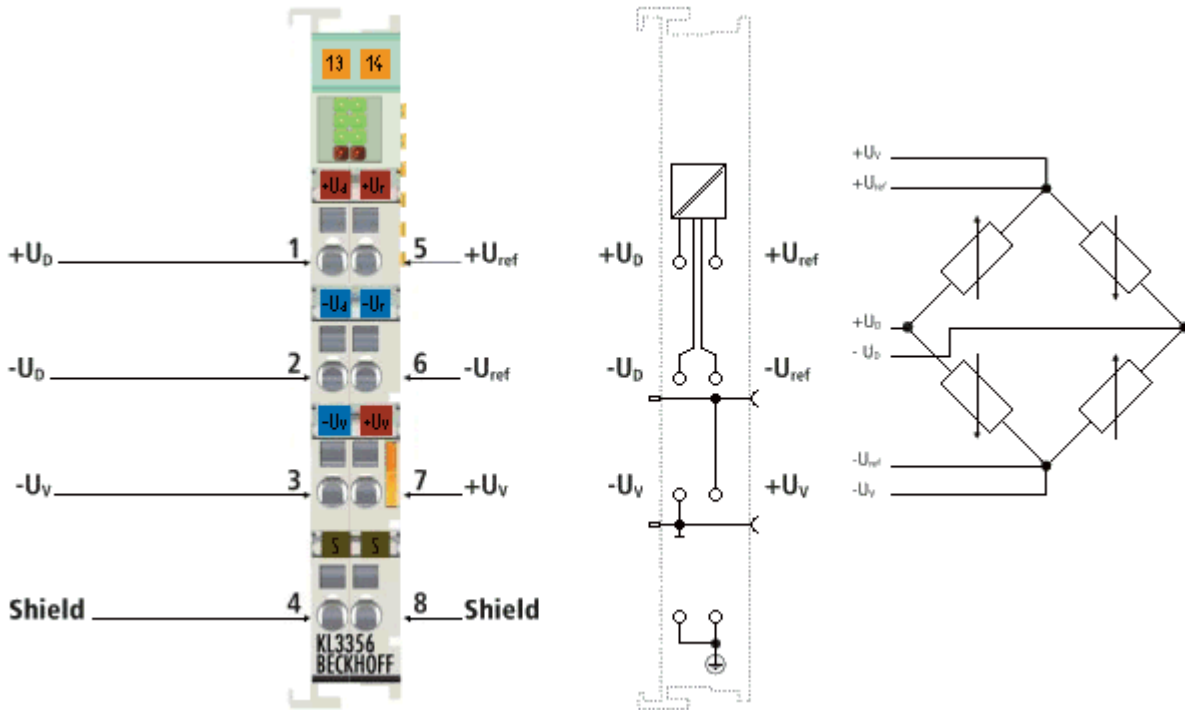


Fig. 11: Connection

Terminal point	No.	Connection for
+U _D	1	Measuring signal
-U _D	2	Measuring signal
-U _V	3	Supply voltage, 0 V (from power contact)
Shield	4	PE contact
+U _{ref}	5	Reference signal
+U _{ref}	6	Reference signal
+U _V	7	Supply voltage, 5 to 12 V (from power contact)
Shield	8	PE contact

The supply voltage (U_V) for the measuring bridge can be fed by a power supply terminal (e.g. KL9510) into the power contacts and then is also available at terminal points 7 (+U_V) and 3 (-U_V) of the KL3356 for referencing at terminal points 5 and 6.

3.4 Application example

⚠ WARNING

Risk of injury through electric shock and damage to the device!

Bring the Bus Terminals system into a safe, de-energized state before starting mounting, disassembly or wiring of the Bus Terminals!

Connecting a load cell (e.g. 4 x 350 Ω) to the KL3356.

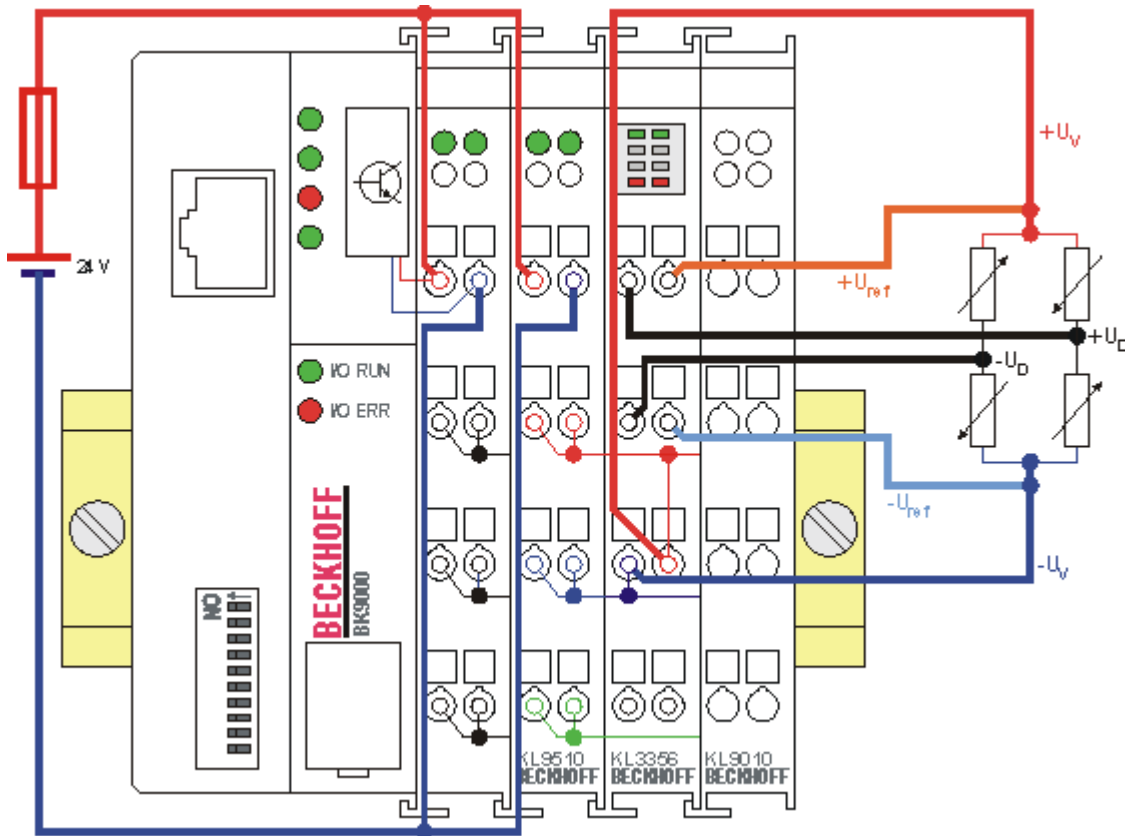


Fig. 12: KL3356 - application example

In the example shown, the KL9510 power supply terminal (10 V) is used to supply the load cell. Beckhoff offers various power supply terminals for the supply of power to the load cells of an KL3356:

Power supply terminal	Input voltage	Output voltage	Output current
KL9505	24 V _{DC}	5 V _{DC} ±1%	0.5 A
KL9510	24 V _{DC}	10 V _{DC} ±1%	0.5 A
KL9512	24 V _{DC}	12 V _{DC} ±1%	0.5 A

3.5 ATEX - Special conditions (standard temperature range)

WARNING

Observe the special conditions for the intended use of Beckhoff fieldbus components with standard temperature range in potentially explosive areas (directive 2014/34/EU)!

- The certified components are to be installed in a suitable housing that guarantees a protection class of at least IP54 in accordance with EN 60079-15! The environmental conditions during use are thereby to be taken into account!
- For dust (only the fieldbus components of certificate no. KEMA 10ATEX0075 X Issue 9): The equipment shall be installed in a suitable enclosure providing a degree of protection of IP54 according to EN 60079-31 for group IIIA or IIIB and IP6X for group IIIC, taking into account the environmental conditions under which the equipment is used!
- If the temperatures during rated operation are higher than 70°C at the feed-in points of cables, lines or pipes, or higher than 80°C at the wire branching points, then cables must be selected whose temperature data correspond to the actual measured temperature values!
- Observe the permissible ambient temperature range of 0 to 55°C for the use of Beckhoff fieldbus components standard temperature range in potentially explosive areas!
- Measures must be taken to protect against the rated operating voltage being exceeded by more than 40% due to short-term interference voltages!
- The individual terminals may only be unplugged or removed from the Bus Terminal system if the supply voltage has been switched off or if a non-explosive atmosphere is ensured!
- The connections of the certified components may only be connected or disconnected if the supply voltage has been switched off or if a non-explosive atmosphere is ensured!
- The fuses of the KL92xx/EL92xx power feed terminals may only be exchanged if the supply voltage has been switched off or if a non-explosive atmosphere is ensured!
- Address selectors and ID switches may only be adjusted if the supply voltage has been switched off or if a non-explosive atmosphere is ensured!

Standards

The fundamental health and safety requirements are fulfilled by compliance with the following standards:

- EN 60079-0:2012+A11:2013
- EN 60079-15:2010
- EN 60079-31:2013 (only for certificate no. KEMA 10ATEX0075 X Issue 9)

Marking

The Beckhoff fieldbus components with standard temperature range certified according to the ATEX directive for potentially explosive areas bear one of the following markings:



II 3G KEMA 10ATEX0075 X Ex nA IIC T4 Gc Ta: 0 ... +55°C

II 3D KEMA 10ATEX0075 X Ex tc IIIC T135°C Dc Ta: 0 ... +55°C
(only for fieldbus components of certificate no. KEMA 10ATEX0075 X Issue 9)

or



II 3G KEMA 10ATEX0075 X Ex nA nC IIC T4 Gc Ta: 0 ... +55°C

II 3D KEMA 10ATEX0075 X Ex tc IIIC T135°C Dc Ta: 0 ... +55°C
(only for fieldbus components of certificate no. KEMA 10ATEX0075 X Issue 9)

3.6 Continuable documentation for ATEX and IECEx



Continuable documentation about explosion protection according to ATEX and IECEx

Pay also attention to the continuable documentation

Notes on the use of the Beckhoff terminal systems in hazardous areas according to ATEX and IECEx

that is available for [download](https://www.beckhoff.com) on the Beckhoff homepage <https://www.beckhoff.com>!

4 KS2000 Configuration Software

4.1 KS2000 - Introduction

The KS2000 configuration software permits configuration, commissioning and parameterization of bus couplers, of the affiliated bus terminals and of Fieldbus Box Modules. The connection between bus coupler / Fieldbus Box Module and the PC is established by means of the serial configuration cable or the fieldbus.



Fig. 13: KS2000 configuration software

Configuration

You can configure the Fieldbus stations with the Configuration Software KS2000 offline. That means, setting up a terminal station with all settings on the couplers and terminals resp. the Fieldbus Box Modules can be prepared before the commissioning phase. Later on, this configuration can be transferred to the terminal station in the commissioning phase by means of a download. For documentation purposes, you are provided with the breakdown of the terminal station, a parts list of modules used and a list of the parameters you have modified. After an upload, existing fieldbus stations are at your disposal for further editing.

Parameterization

KS2000 offers simple access to the parameters of a fieldbus station: specific high-level dialogs are available for all bus couplers, all intelligent bus terminals and Fieldbus Box modules with the aid of which settings can be modified easily. Alternatively, you have full access to all internal registers of the bus couplers and intelligent terminals. Refer to the register description for the meanings of the registers.

Commissioning

The KS2000 software facilitates commissioning of machine components or their fieldbus stations: Configured settings can be transferred to the fieldbus modules by means of a download. After a *login* to the terminal station, it is possible to define settings in couplers, terminals and Fieldbus Box modules directly *online*. The same high-level dialogs and register access are available for this purpose as in the configuration phase.

The KS2000 offers access to the process images of the bus couplers and Fieldbus Box modules.

- Thus, the coupler's input and output images can be observed by monitoring.
- Process values can be specified in the output image for commissioning of the output modules.

All possibilities in the *online mode* can be used in parallel with the actual fieldbus mode of the terminal station. The fieldbus protocol always has the higher priority in this case.

4.2 Parameterization with KS2000

Connect the configuration interface of your Fieldbus Coupler with the serial interface of your PC via the configuration cable and start the *KS2000* Configuration Software.



Click on the *Login* button. The configuration software will now load the information for the connected fieldbus station.

In the example shown, this is

- a BK9000 Ethernet Coupler
- a KL1xx2 digital input terminal
- a KL3356 accurate terminal for resistance bridge
- a KL9010 Bus End Terminal

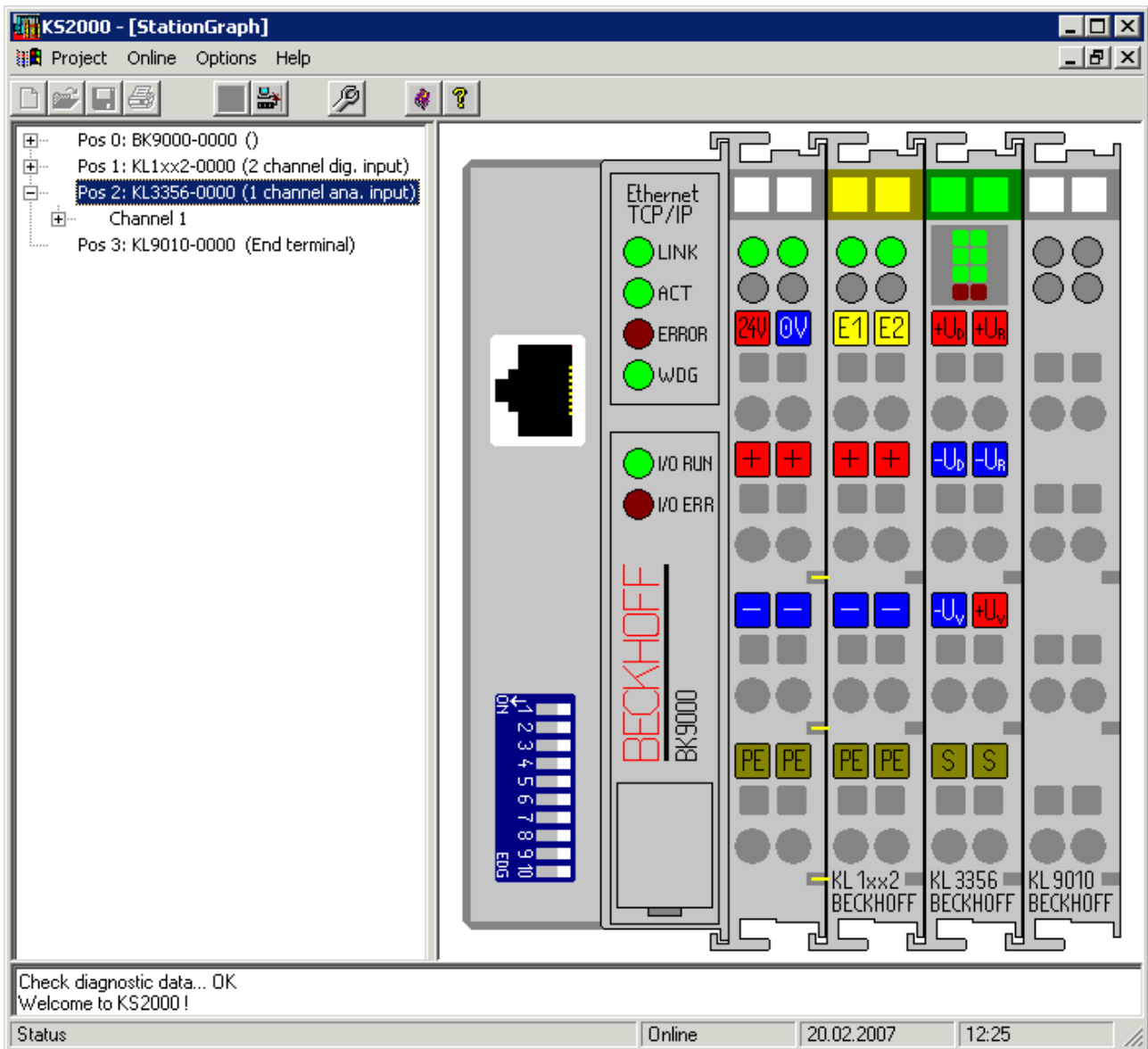


Fig. 14: Display of the fieldbus station in KS2000

The left-hand KS2000 window displays the terminals of the fieldbus station in a tree structure. The right-hand KS2000 window contains a graphic display of the fieldbus station terminals.

In the tree structure of the left-hand window, click on the plus-sign next to the terminal whose parameters you wish to change (item 2 in the example).

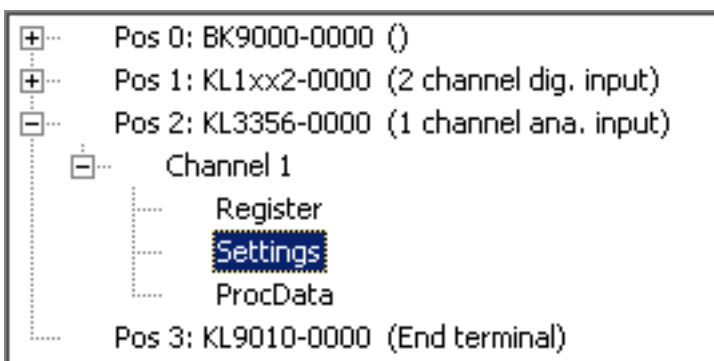


Fig. 15: KS2000 branch for channel 1 of the KL3356

For the KL3356, the branches *Register*, *Settings* and *ProcData* are displayed:

- Register permits direct access to the registers of the KL3356.

- Under [Settings \[► 30\]](#) you find dialog masks for parameterizing the KL3356.
- ProcData displays the KL3356 process data.

4.3 Settings

Under *Settings* you find the dialog masks for parameterizing the KL3356.

Pos.: 2	Channel: 1	
Type: KL3356-0000		

Operation mode	Register data
<input type="checkbox"/> User scaling active	Nominal weight <input type="text" value="5 kg"/>
<input checked="" type="radio"/> Scaling	Nominal parameter <input type="text" value="2 mV/V"/>
<input type="radio"/> Calibration	Scale factor <input type="text" value="1000"/>
<input type="checkbox"/> Manufacturer scaling active	Measure interval for reference <input type="text" value="360.0 s"/>
<input checked="" type="checkbox"/> Scale factor active	Calibration interval <input type="text" value="180.0 s"/>
<input checked="" type="checkbox"/> Watchdog timer active	Forced calibration interval <input type="text" value="540.0 s"/>
<input checked="" type="checkbox"/> Cyclic calibration enabled	Test interval <input type="text" value="1800.0 s"/>
<input checked="" type="checkbox"/> Cyclic reference measurement enabled	Nominal test value <input type="text" value="13100"/>
<input checked="" type="checkbox"/> Cyclic test enabled	Test tolerance <input type="text" value="50"/>
<input checked="" type="checkbox"/> Symmetric reference potential	Threshold reference voltage <input type="text" value="5000 mV"/>
<input checked="" type="checkbox"/> Stabilization of the calibration active	Threshold correction factor <input type="text" value="100"/>
<input type="checkbox"/> Resolution of nominal parameter 0.01mV/V	Number of stable measured values <input type="text" value="50"/>
<input type="checkbox"/> After calibration wait for stable value	Tolerance for measurement stability <input type="text" value="5"/>
	Manual calibration weight <input type="text" value="2000 g"/>
	Filter constant <input type="text" value="860"/>
	<input type="checkbox"/> Fast Step Modus ^(TM) enabled
	<input checked="" type="checkbox"/> FIR Filter enabled

Fig. 16: Settings via KS2000

Operation mode

User scaling active ([R32.0 \[► 47\]](#))

You can activate user scaling here (default: disabled). Two variants ([R32.10 \[► 47\]](#)) are available for selection:

- Scaling (see [formula 1.3.0 \[► 11\]](#))
- Calibration (see [formula 1.3.1 \[► 11\]](#))

Manufacturer scaling active (R32.1 [[▶](#) 47])

You can activate manufacturer scaling here (default: disabled).

Scale factor active (R32.8 [[▶](#) 47])

You can deactivate the scale factor here (default: enabled).

Watchdog timer active (R32.2 [[▶](#) 47])

You can deactivate the watchdog timer here (default: enabled).

Cyclic calibration enabled (R32.4 [[▶](#) 47])

You can deactivate cyclic calibration here (default: enabled).

Cyclic reference measurement enabled (R32.6 [[▶](#) 47])

You can deactivate cyclic reference measurement here (default: enabled).

Cyclic test enabled (R32.5 [[▶](#) 47])

You can deactivate cyclic testing here (default: enabled).

Symmetric reference potential (R32.7 [[▶](#) 47])

You can deactivate the symmetric reference potential here (default: enabled).

Stabilization of calibration active (R32.9 [[▶](#) 47])

You can deactivate the stabilization of the calibration here (default: enabled). The stabilization of the calibration can be parameterized via the parameters "number of stable measured values" and "tolerance for measurement stability".

Resolution of nominal parameter 0.01 mV/V (R32.11 [[▶](#) 47])

Here you can enable a resolution of nominal parameter of 0.01 mV/V, instead of the resolution of nominal parameter of 1 mV/V (default: disabled).

After calibration wait for stable value (R32.12 [[▶](#) 47])

Here you can specify that, after calibration or measurement of the reference voltage, the KL3365 should wait until the weight value output is stable before outputting the measured value (default: disabled).

Register data**Nominal weight (R35 [[▶](#) 48])**

You can specify the nominal weight of the connected load cell here in kg (default: 5 kg).

Nominal parameter (R36 [[▶](#) 48])

You can specify the nominal characteristic value of the connected load cell here (default: 2 mV / V).

Scale factor (R38 [[▶](#) 49])

You can specify the scale factor here (default: 1000).

Measure interval for the reference signal (R39 [[▶](#) 49])

You can specify the measuring interval for the reference signal here in steps of 100 ms (default: 360 s).

Calibration interval (R40 [▶ 49])

You can specify the calibration interval for the reference signal here in steps of 100 ms (default: 180 s).

Forced calibration interval (R44 [▶ 50])

You can specify the interval for the forced calibration here. This interval is always a multiple (default: 3_{dez}) of the calibration interval. The interval for forced calibration when the terminal leaves the factory is therefore $3 \times 180 \text{ s} = 540 \text{ s}$.

Test interval (R41 [▶ 50])

You can specify the test interval here. This interval is always a multiple (default: 10_{dez}) of the calibration interval. The test interval when the terminal leaves the factory is therefore $10 \times 180 \text{ s} = 1800 \text{ s}$.

Nominal test value (R42 [▶ 50])

Here you can specify the nominal test value of the terminal (e.g. $332C_{\text{hex}} = 13100_{\text{dec}}$).

Test tolerance (R43 [▶ 50])

You can specify the test tolerance for the terminal here (the default is 50_{dec}).

Threshold reference voltage (R45 [▶ 50])

You can specify the limit for the reference voltage test here in steps of one mV (default: 5000 mV). If the reference voltage is found to be below this limit, bit R0.14 [▶ 44] is set in the status word.

Threshold correction factor (R46 [▶ 50])

Here you can specify the limit value for the correction factor (for gain). A correction factor for the differential signal is determined in the course of calibration. This is derived from the quotient of reference and differential signal. To represent it more clearly, the result is normalized to 10000 ($U_{\text{Ref}} / U_{\text{Diff}} \times 10000$), which means that 10000 corresponds to a factor of 1. If the difference between the correction factor and 10000 (10000 - correction factor) is greater than this limit, bit R0.15 [▶ 44] is set in the status word.

Number of stable measured values (R47 [▶ 51])

Here you can specify the number of measured values for the calibration stabilization that have to be within the set tolerance (R48). The default value is 50.

Tolerance for measurement stability (R48 [▶ 51])

Here you can specify the tolerance (in digits) for the calibration stabilization, by which the measured values may be outside the reference value. The default value is 5 digits.

Manual calibration weight (R49 [▶ 51])

Here you can specify the reference weight for the manual calibration. The default value is 2000 g.

Filter constant (R37.11-R37.4 [▶ 48])

The filter constant SF specifies the 3 dB limit frequency of the sinc³ filter (default: 860_{dec}).

Fast-Step Mode^(TM) enabled (R37.0 [▶ 48])

You can activate Fast Step Mode here (default: disabled). A fast reaction to jumps at the input follows in fast step mode, in spite of the filter stage being active. In this case the filter is bypassed!

FIR Filter enabled (R37.1 [▶ 48])

You can deactivate the FIR filter here (default: enabled).

4.4 Sample program for KL register communication via EtherCAT on KL3314 exemplary



Using the sample programs

This document contains sample applications of our products for certain areas of application. The application notes provided here are based on typical features of our products and only serve as examples. The notes contained in this document explicitly do not refer to specific applications. The customer is therefore responsible for assessing and deciding whether the product is suitable for a particular application. We accept no responsibility for the completeness and correctness of the source code contained in this document. We reserve the right to modify the content of this document at any time and accept no responsibility for errors and missing information.

Program description / function

This example program (TwinCAT 3) provides change of single register values of the KL3314 as selection of the element type, characteristic settings of the feature register R32 and user scaling offset and gain (R33/ R34) similar as per KS2000.

Take settings for all channels of this terminal

Operating mode

- User scaling active
- Manufacturer scaling active
- Watchdog timer active
- Signed amount representation
- Siemens output format
- Filter 1 active
- Wire break detection deactivated
- Comparison temperature off
- No check of the lower measurement range limit

Element

- Typ L
- Typ K
- Typ J
- Typ E
- Typ T
- Typ N
- Typ U
- Typ B
- Typ R
- Typ S
- Output μV (1 μV)
- Output μV (2 μV)
- Output μV (4 μV)

Apply

Refresh

Channel 1

Channel 2

Channel 3

Channel 4

Scaler values

Apply changes

Get values

Take values for all channels of this terminal

Fig. 17: Settings of KL3314 via visualisation of TwinCAT 3

At least following configuration setup shall be present:

[coupler (e.g. BK1120) or embedded PC] + KL3314 + KL9010.



Download:

<https://infosys.beckhoff.com/content/1033/kl3356/Resources/zip/5996114571.zip>

Preparations for starting the sample programs (tnzip file / TwinCAT 3)

- Click on the download button to save the Zip archive locally on your hard disk, then unzip the *.tnzip archive file in a temporary folder.

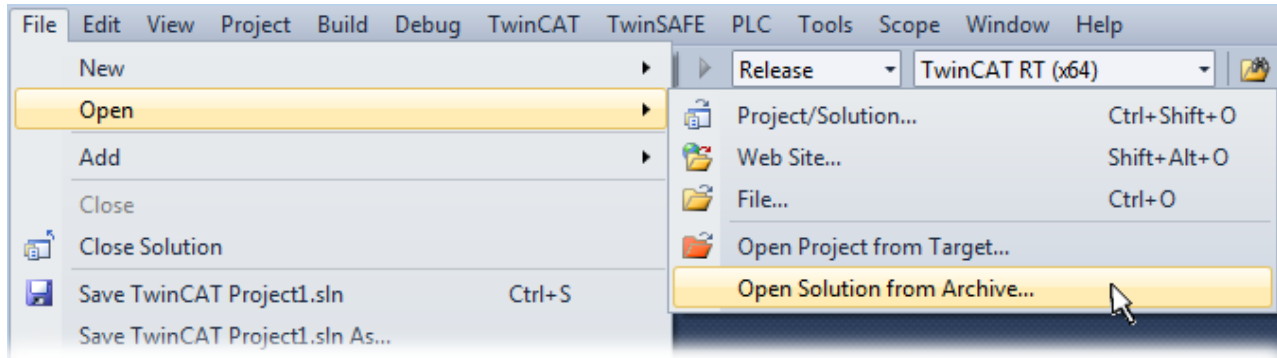


Fig. 18: Opening the *.tnzip archive

- Select the .tnzip file (sample program).
- A further selection window opens. Select the destination directory for storing the project.
- For a description of the general PLC commissioning procedure and starting the program please refer to the terminal documentation or the EtherCAT system documentation.
- The EtherCAT device of the example should usually be declared your present system. After selection of the EtherCAT device in the "Solutionexplorer" select the "Adapter" tab and click on "Search...":

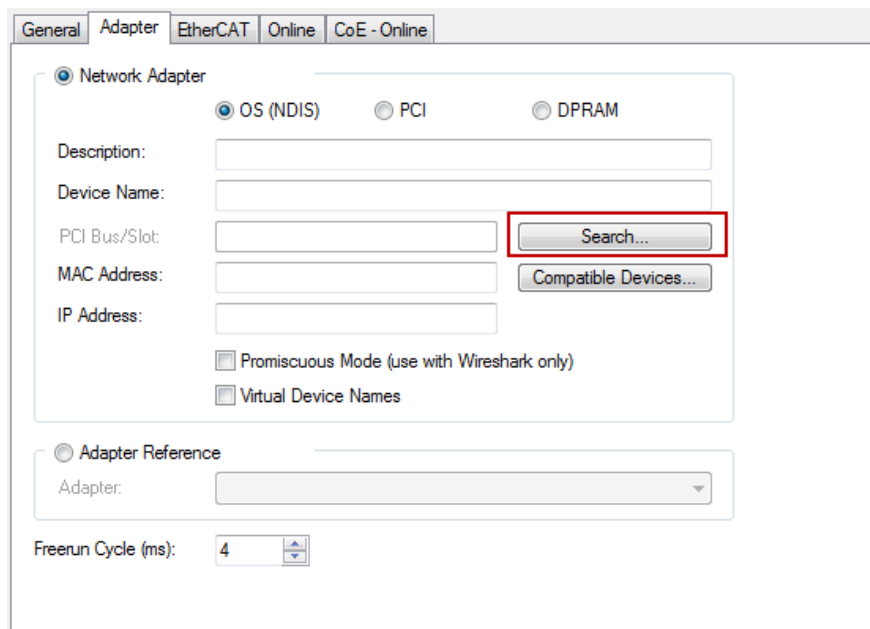
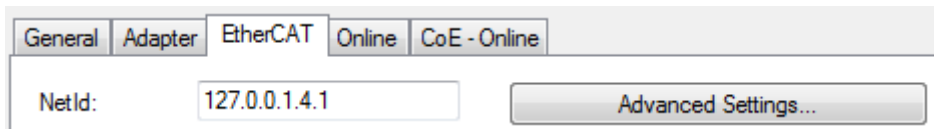


Fig. 19: Search of the existing HW configuration for the EtherCAT configuration of the example

- Checking NetId: the “EtherCAT” tab of the EtherCAT device shows the configured NetId:



The first 4 numbers have to be identical with the project NetId of the target system. The project NetId can be viewed within the TwinCAT environment above, where a pull down menu can be opened to choose a target system (by clicking right in the text field). The number blocks are placed in brackets there next to each computer name of a target system.

- Modify the NetId: By right clicking on “EtherCAT device” within the solution explorer a context menu opens where “Change NetId...” have to be selected. The first four numbers of the NetId of the target computer have to be entered; the both last values are 4.1 usually.

Example:

- NetId of project: myComputer (123.45.67.89.1.1)
- Entry via „Change NetId...“: 123.45.67.89.4.1

5 Access from the user program

5.1 Process image

In the process image, the KL3356 is always represented with 6 bytes of input data and 6 bytes of output data.

Format	Input data	Output data
Byte	Status byte (SB1 [▶ 38])	Control byte (CB1 [▶ 38])
Word	DataIN1	DataOUT1
Byte	Status byte (SB2 [▶ 40])	Control byte (CB2 [▶ 39])
Word	DataIN2	DataOUT (this is not used and is not displayed by the TwinCAT System Manager)

- The input data word DataIN1 and the output data word DataOUT1 are only used for register communication.
- In process data mode, the input data word DataIN2 transmits the weight, and the output data word DataOUT2 is not used.
- Please refer to the [Mapping](#) [[▶ 36](#)] page for the assignment of the bytes and words to the addresses of the controller.
- The meaning of the control and status bytes is explained in [Control and status bytes](#) [[▶ 38](#)].

● Compact process image not possible

I The KL3356 cannot be operated with compact process image (without control and status bytes), since control and status bytes are required for process data mode of the KL3356 to function correctly. Even if your Bus Coupler is set to compact process image, the KL3356 is represented with its complete process image!

5.2 Mapping

The Bus Terminals occupy addresses within the process image of the controller. The assignment of process data (input and output data) and parameterization data (control and status bytes) to the control addresses is called mapping. The type of mapping depends on:

- the fieldbus system used
- the terminal type
- the parameterization of the Bus Coupler (conditions) such as
 - Intel or Motorola format
 - word alignment switched on or off

The Bus Couplers (BKxxxx, LCxxxx) and Bus Terminal Controllers (BCxxxx, BXxxxx) are supplied with certain default settings. The default setting can be changed with the KS2000 configuration software or with a master configuration software (e.g. TwinCAT System Manager or ComProfibus).

The following tables show the mapping depending on different conditions. For information about the contents of the individual bytes please refer to the pages *Process image* and *Control and status byte*.

Compact evaluation

● Compact process image not possible

I The KL3356 cannot be operated with compact process image (without control and status bytes), since control and status bytes are required for process data mode of the KL3356 to function correctly. Even if your Bus Coupler is set to compact process image, the KL3356 is represented with its complete process image!

Complete evaluation

For complete evaluation, the analog input terminals occupy addresses in the input and output process image. Control and status bytes can be accessed.

Complete evaluation in Intel format

Default mapping for CANopen, CANCEL, DeviceNet, ControlNet, Modbus, RS232 and RS485 coupler

	Address	Input data		Output data	
Requirements	Word offset	High byte	Low byte	High byte	Low byte
Complete evaluation: any	0	DataIN1 D0	SB1	DataOUT1 D0	CB1
Motorola format: no	1	SB2	DataIN1 D1	CB2	DataOUT1 D1
Word alignment: no	2	DataIN2 D1	DataIN2 D0	DataOUT2 D1	DataOUT2 D0

Complete evaluation in Motorola format

	Address	Input data		Output data	
Requirements	Word offset	High byte	Low byte	High byte	Low byte
Complete evaluation: any	0	DataIN1 D1	SB1	DataOUT1 D1	CB1
Motorola format: yes	1	SB2	DataIN1 D0	CB2	DataOUT1 D0
Word alignment: no	2	DataIN2 D0	DataIN2 D1	DataOUT2 D0	DataOUT2 D1

Complete evaluation in Intel format with word alignment

Default mapping for Lightbus, EtherCAT and Ethernet coupler as well as Bus Terminal Controllers (BCxxxx, BXxxxx)

	Address	Input data		Output data	
Requirements	Word offset	High byte	Low byte	High byte	Low byte
Complete evaluation: any	0	reserved	SB1	reserved	CB1
Motorola format: no	1	DataIN1 D1	DataIN1 D0	DataOUT1 D1	DataOUT1 D0
Word alignment: yes	2	reserved	SB2	reserved	CB2
	3	DataIN2 D1	DataIN2 D0	DataOUT2 D1	DataOUT2 D0

Complete evaluation in Motorola format with word alignment

	Address	Input data		Output data	
Requirements	Word offset	High byte	Low byte	High byte	Low byte
Complete evaluation: any	0	reserved	SB1	reserved	CB1
Motorola format: yes	1	DataIN1 D0	DataIN1 D1	DataOUT1 D0	DataOUT1 D1
Word alignment: yes	2	reserved	SB2	reserved	CB2
	3	DataIN2 D0	DataIN2 D1	DataOUT2 D0	DataOUT2 D1

Key

Complete evaluation: In addition to the process data, the control and status bytes are also mapped in the address space.

Motorola format: Motorola or Intel format can be set.

Word alignment: To ensure that the address range of the words always begins on a word boundary, empty bytes are inserted into the process image.

SB n: status byte n (appears in the input process image)

CB n: control byte n (appears in the output process image)

DataIN n D0: input word n, low-order data byte
 DataIN n D1: input word n, high-order data byte
 DataOUT n D0: output word n, low-order data byte
 DataOUT n D1: output word n, high-order data byte

reserved: This byte is assigned to the process data memory, although it is not used.



DataOUT2

The process data word DataOUT2 is not used and is not displayed by the TwinCAT System Manager.

5.3 Control and status bytes

Register communication

Control byte 1 (for register communication)

Control byte 1 (CB1) is located in the [output image \[► 36\]](#), and is transmitted from the controller to the terminal.

Bit	CB1.7	CB1.6	CB1.5	CB1.4	CB1.3	CB1.2	CB1.1	CB1.0
Name	RegAccess	R/W	Reg. no.					

Key

Bit	Name	Description
CB1.7	RegAccess	1_{bin} Register communication switched on
CB1.6	R/W	0_{bin} Read access
		1_{bin} Write access
CB1.5 to CB1.0	Reg. no.	Register number: Enter the number of the register [► 41] that you - want to read with input data word DataIN1 [► 36] or - want to write with output data word DataOUT1 [► 36] .

Status byte 1 (for register communication)

The status byte 1 (SB1) is located in the [input image \[► 36\]](#) and is transmitted from terminal to the controller.

Bit	SB1.7	SB1.6	SB1.5	SB1.4	SB1.3	SB1.2	SB1.1	SB1.0
Name	RegAccess	R/W	Reg. no.					



Using control and status bytes

In contrast to other types of terminal, the process data provided when using a KL3356 is valid even during register communication!

The KL3356 uses

- control byte 0 and status byte 0 exclusively for register communication
- control byte 1 and status byte 1 exclusively for process data mode

Key

Bit	Name	Description
SB1.7	RegAccess	1_{bin} Acknowledgment for register access
SB1.6	R	0_{bin} Read access
SB1.5 to SB1.0	Reg. no.	Number of the register that was read or written.

Process data mode

Control byte 2 (for process data mode)

Control byte 2 (CB2) is located in the output image [▶ 36], and is transmitted from the controller to the terminal.

Bit	CB2.7	CB2.6	CB2.5	CB2.4	CB2.3	CB2.2	CB2.1	CB2.0
Name	-	Quit Error	-	MapCaliCounter	RegLockReq	MapCaliData/DisableSymm	CaliDisReq/Channel	StartManCheck/StartManCali

Key

Bit	Name	Description	
CB2.7	-	0 _{bin}	reserved
CB2.6	QuitError	1 _{bin}	All errors are cleared
CB2.5	-	0 _{bin}	reserved
CB2.4	MapCaliCounter	0 _{bin}	The registers R2 [▶ 44], R3 [▶ 45] and R5 [▶ 45] show the data selected with bit CB2.2.
		1 _{bin}	Registers R2 [▶ 44], R3 [▶ 45] and R5 [▶ 45] show the calibration counters (in addition, bit CB2.3 must be set to 0 _{bin} for this purpose). (see note below)

● The calibration counters are evaluated by the KL3356



The calibration counters are a measure for the quality of the self-calibration. In standard applications, it is not necessary for the user to evaluate these counters, since the KL3356 evaluates the counters itself and uses bit 0.8 or bit 0.15 of the status word (R0) to report when permitted tolerances have been exceeded.

Bit	Name	Description		
CB2.3	RegLockReq	0 _{bin}	Register lock not active: <ul style="list-style-type: none"> The KL3356 can update the values in registers R1 [▶ 44], R2 [▶ 44], R3 [▶ 45] and R5 [▶ 45]. Registers R2 [▶ 44], R3 [▶ 45] and R5 [▶ 45] can be shown by setting bit CB2.4 to 1_{bin}. 	
		1 _{bin}	Register lock active: <ul style="list-style-type: none"> The KL3356 no longer updates the registers R1 [▶ 44], R2 [▶ 44], R3 [▶ 45] and R5 [▶ 45]. Bit CB2.4 is not evaluated! 	
		normal operation		manual operation*
CB2.2	MapCaliData/ DisableSymm	0 _{bin}	The measured value registers contain the mapped raw data from the converters: <ul style="list-style-type: none"> R1 [▶ 44]: the calculated weight R2 [▶ 44]: the strain gauge measuring signal R3 [▶ 45]: the strain gauge reference signal R5 [▶ 45]: the last actual test value 	Symmetrical measurement is switched on if it has been enabled by bit R32.7 [▶ 47] of the feature register.
		1 _{bin}	The measurement registers contain the mapped calibration data: <ul style="list-style-type: none"> R1 [▶ 44]: reserved (register is empty) R2 [▶ 44]: the offset error of the measuring signal R3 [▶ 45]: the offset error of the reference signal R5: [▶ 45] the correction factor for the differential signal 	Symmetrical measurement is switched off even if it has been enabled by bit R32.7 [▶ 47] of the feature register.
CB2.1	CaliDisReq/ Channel	0 _{bin}	The ForcedCali status bit (SB2.4 [▶ 40]) is cleared	Selection of the measuring channel, U _{Diff}
		1 _{bin}	Blocking automatic calibration and cyclic reference measurement	Selection of the measuring channel, U _{Ref}
CB2.0	StartManCheck/ StartManCali	1 _{bin}	Start test	Start calibration and test

*) Manual operation can be enabled via the command register ([R7 \[▶ 45\]](#)).

Status byte 2 (for process data mode)

The status byte 2 (SB2) is located in the [input image \[▶ 36\]](#) and is transmitted from terminal to the controller.

Bit	SB2.7	SB2.6	SB2.5	SB2.4	SB2.3	SB2.2	SB2.1	SB2.0
Name	-	Error	-	ForcedCali	RegLockAck	NoActualValue	CaliDisAck/Channel	NegWeight

Key

Bit	Name	Description	
SB2.7	-	0 _{bin}	reserved
SB2.6	Error	1 _{bin}	internal error
SB2.5	-	0 _{bin}	reserved
SB2.4	ForcedCali	1 _{bin}	Forced calibration is being carried out.
SB2.3	RegLockAck	1 _{bin}	Acknowledgement for the write protection of all registers
SB2.2	NoActualValue	1 _{bin}	The process data indicated is not valid.
SB2.1	CaliDisAck/ Channel		normal operation
		0 _{bin}	-
		1 _{bin}	Acknowledgement of calibration block
			manual operation*
			selected measuring channel: U _{diff}
			selected measuring channel: U _{ref}
SB2.0	NegWeight	0 _{bin}	Process data is positive
		1 _{bin}	Process data is negative

*) Manual operation can be enabled via the command register (R7 [▶ 45]).

5.4 Register overview

All registers can be read or written via register communication.

Registers R0 to R31 (direct access)

These registers are used to parameterize the KL3356.

Register no.	Comment	Default value		R/W	Memory
R0 [▶ 44]	Status word	0x0000	0 _{dec}	R	RAM
R1 [▶ 44]	measured value register 1*: <ul style="list-style-type: none"> calculated weight (raw value without scaling) none 	0x0000	0 _{dec}	R	RAM
R2 [▶ 44]	measured value register 2*: <ul style="list-style-type: none"> strain gauge measuring signal or offset error of the measuring signal or calibration counter 0 	0x0000	0 _{dec}	R	RAM
R3 [▶ 45]	measured value register 3*: <ul style="list-style-type: none"> strain gauge reference signal or offset error of the reference signal or calibration counter 1 	typically 0xF618	typically 63000 _{dec}	R	RAM
R4 [▶ 45]	Register page selection register	0x0000	0 _{dec}	R/W	RAM
R5 [▶ 45]	measured value register 4*: <ul style="list-style-type: none"> last actual test value or correction factor for differential signal or (factor x 10000) or calibration counter 2 	0x0000	0 _{dec}	R	RAM
R6 [▶ 45]	Diagnostic register	0x0000	0 _{dec}	R	RAM
R7 [▶ 45]	Command register	0x0000	0 _{dec}	R/W	RAM
R8 [▶ 46]	Terminal type	0x0D1C	3356 _{dec}	R	ROM
R9 [▶ 46]	Firmware version	e.g. 0x3141	e.g. 12609 _{dec}	R	ROM
R10	Multiplex shift register	0x0130	304 _{dec}	R	ROM
R11	Signal channels	0x0130	304 _{dec}	R	ROM
R12	Minimum data length	0x3030	18 _{dec}	R	ROM
R13	Data structure	0x0007	7 _{dec}	R	ROM
R14	reserved	-	-	-	-
R15	Alignment register	typically 0x7F80	typically 32640 _{dec}	R/W	RAM
R16 [▶ 46]	Hardware version number	e.g. 0x0000	e.g. 0 _{dec}	R/W	SEEPROM
R17	reserved	-	-	-	-
R18	reserved	-	-	-	-
R19	Manufacturer scaling: offset	typically 0x0000	typically 0 _{dec}	R/W	SEEPROM
R20	Manufacturer scaling: gain	typically 0x0100	typically 256 _{dec}	R/W	SEEPROM
R21	reserved	-	-	-	-
...	reserved	-	-	-	-
R30	reserved	-	-	-	-
R31 [▶ 46]	Code word register	0x0000	0 _{dec}	R/W	RAM

*) depending on bit [CB2.2 \[▶ 39\]](#) and bit [CB2.4 \[▶ 39\]](#) of control byte 2

Register page 0 (access selectable via register [R4 \[▶ 45\]](#))

These registers are also used for parameterization of the KL3356.

Register no.	Comment	Default value		R/W	Memory
R32 [▶ 47]	Feature register	0x0380	896 _{dec}	R/W	SEEPROM
R33 [▶ 47]	User offset	0x0000	0 _{dec}	R/W	SEEPROM
R34 [▶ 48]	User gain	0x0800	2048 _{dec}	R/W	SEEPROM
R35 [▶ 48]	Nominal weight	0x0005	5 _{dec}	R/W	SEEPROM
R36 [▶ 48]	Nominal parameter	0x0002	2 _{dec}	R/W	SEEPROM
R37 [▶ 48]	Filter constants of the A/D converter, and configuration bits for the filter	0x35C0	13760 _{dec}	R/W	SEEPROM
R38 [▶ 49]	Scale factor	0x03E8	1000 _{dec}	R/W	SEEPROM
R39 [▶ 49]	Measuring interval for the reference signal ****)	0x0E10	3600 _{dec}	R/W	SEEPROM
R40 [▶ 49]	Calibration interval ****)	0x0708	1800 _{dec}	R/W	SEEPROM
R41 [▶ 50]	Test interval *****)	0x000A	10 _{dec}	R/W	SEEPROM
R42 [▶ 50]	Nominal test value	typically 0x332C	typically 13100 _{dec}	R/W	SEEPROM
R43 [▶ 50]	Test tolerance	0x0032	50 _{dec}	R/W	SEEPROM
R44 [▶ 50]	Interval for forced calibration *****)	0x0003	3 _{dec}	R/W	SEEPROM
R45 [▶ 50]	Limit for reference voltage testing	0x1388	5000 _{dec}	R/W	SEEPROM
R46 [▶ 50]	Limit for reference correction factor	0x0064	100 _{dec}	R/W	SEEPROM
R47 [▶ 51]	Calibration stabilization: - number of stable measured values	0x0032	50 _{dec}	R/W	SEEPROM
R48 [▶ 51]	Calibration stabilization: - tolerance for measurement stability (in digits)	0x0005	5 _{dec}	R/W	SEEPROM
R49 [▶ 51]	Weight for manual calibration	0x7D0	2000 _{dec}	R/W	SEEPROM
R50	reserved	-	-	-	-
...	reserved	-	-	-	-
R63	reserved	-	-	-	-

****) In multiples of 100 ms

*****) in multiples of register [R40 \[▶ 49\]](#)

Register page 1 (access selectable via register [R4 \[▶ 45\]](#))

Freely available SEEPROM memory.

Register no.	Comment	Default value		R/W	Memory
R32 [▶ 51]	freely available	-	-	R/W	SEEPROM
...	freely available	-	-	R/W	SEEPROM
R63	freely available	-	-	R/W	SEEPROM

Register page 2 (access selectable via register [R4 \[▶ 45\]](#))

Freely available SEEPROM memory.

Register no.	Comment	Default value		R/W	Memory
R32 [▶ 51]	freely available	-	-	R/W	SEEPROM
...	freely available	-	-	R/W	SEEPROM
R63	freely available	-	-	R/W	SEEPROM

5.5 Register description

All registers can be read or written via register communication.

Registers R0 to R31 (direct access)

These registers are used to parameterize the KL3356.

R0: status word

The status word contains information about internal signals, and provides an indication of errors that have occurred.

Bit	Name	Description
R0.15	GainError	1 _{bin} The deviation of the gain correction factor is greater than specified in register R46 [▶ 50].
R0.14	LowVoltageCh2	1 _{bin} The strain gauge reference signal is smaller than specified in register R45 [▶ 50].
R0.13	NoRefCh2	1 _{bin} The internal reference voltage for channel 2 (strain gauge reference signal) is missing.
R0.12	NoRefCh1	1 _{bin} The internal reference voltage for channel 1 (strain gauge differential signal) is missing.
R0.11	OverloadCh2	1 _{bin} The strain gauge reference signal is above the valid range (max. 0xFFFF)
R0.10	OverloadCh1	1 _{bin} The strain gauge differential signal is above the valid range (max. 0xFFFF)
R0.9	ADCErrror	1 _{bin} No communication with the A/D converter.
R0.8	TestError	1 _{bin} Actual value from the test is outside the specified tolerance range.
R0.7	-	reserved
R0.6	MapCaliCounter	1 _{bin} Acknowledgement for CB2.4 [▶ 39]. The calibration counters are shown in registers R2 , R3 and R5 [▶ 41].
R0.5	CaliDataMapped	1 _{bin} Acknowledgement for CB2.2 [▶ 39]. The last test results are shown in registers R2 , R3 and R5 [▶ 41].
R0.4	ManCheckDone	1 _{bin} The manual test that was started with CB2.0 [▶ 39] has been completed.
R0.3	TestActive	1 _{bin} Manual testing is in progress.
R0.2	CaliActive	1 _{bin} Calibration (manual or automatic) is active.
R0.1	NegSignalCh2	1 _{bin} The strain gauge reference signal is negative.
R0.0	NegSignalCh1	1 _{bin} The strain gauge differential signal is negative.

R1: measured value register 1

- Raw data of the converters:
If control bit [CB2.2](#) [[▶ 39](#)] is not set, then the weight calculated by means of [formulae 1.0 and 1.1](#) [[▶ 11](#)] is displayed in register R1.
- If control bit [CB2.2](#) [[▶ 39](#)] is set, register R1 is blank.
- If control bit [CB2.4](#) [[▶ 39](#)] is set, register R1 is blank.

R2: measured value register 2

- Raw data of the converters:
If the control bit [CB2.2](#) [[▶ 39](#)] is not set, register R2 shows the strain gauge measuring signal.
- Calibration data:
If control bit [CB2.2](#) [[▶ 39](#)] is set, register R2 shows the preload of the measuring signal input.
- Calibration counter 0:
If control bit [CB2.4](#) [[▶ 39](#)] is set, register R2 shows the number of measured values that were identical to the first measured value.

R3: measured value register 3

- Raw data of the converters:
If the control bit [CB2.2 \[▶ 39\]](#) is not set, register R3 shows the strain gauge reference signal.
- Calibration data:
If control bit [CB2.2 \[▶ 39\]](#) is set, register R3 shows the preload of the reference signal input.
- Calibration counter 1:
If control bit [CB2.4 \[▶ 39\]](#) is set, register R3 shows the number of measured values that were smaller than the first measured value.

R4: register page selection register

Other register pages can be accessed by writing into register R4. The value entered into register R4 is accepted if the desired register page is present. If that is not the case, the previous value is retained.

Register content R4	Register numbers R32 to R63 permit access to
0x0000	Register page 0: Configuration registers R32 to R63
0x0001	Register page 1: 32 words of freely available SEEPROM memory
0x0002	Register page 2: 32 words of freely available SEEPROM memory
0x0003 to 0xFFFF	reserved

R5: measured value register 4

- Raw data of the converters:
If the control bit [CB2.2 \[▶ 39\]](#) is not set, register R5 shows the most recent actual test value.
- Calibration data:
If control bit [CB2.2 \[▶ 39\]](#) is set, register R5 shows the correction factor for the differential signal (factor x 10000).
- Calibration counter 2:
If control bit [CB2.4 \[▶ 39\]](#) is set, register R5 shows the number of measured values that were greater than the first measured value.

R6: diagnostic register

Status byte [SB2 \[▶ 40\]](#) is placed into register R6.

R7: command register



User code word

For a command to be executed, it is first necessary for the user code word, 0x1235, to be entered into [register R31 \[▶ 46\]](#).

Command 0x0101: user calibration - offset

The KL3356 uses the entry 0x0101 in register R7 to compensate the user offset. The calibration value is entered in register [R33 \[▶ 47\]](#).

The calibration value is taken account in weight measuring if bit [R32.0 \[▶ 47\]](#) is set.

To execute this command, the user calibration must be active (bit [R32.0 \[▶ 47\]](#) and [R32.10 \[▶ 47\]](#) must be set)!

Command 0x0102: user calibration - gain

The KL3356 uses the entry 0x0102 in register R7 to compensate the user gain. The calibration value is entered in register [R34 \[▶ 48\]](#).

The calibration value is taken account in weight measuring if bit [R32.0 \[▶ 47\]](#) is set.

To execute this command, the user calibration must be active (bit [R32.0 \[▸ 47\]](#) and [R32.10 \[▸ 47\]](#) must be set)!

Command 0x0401: manual calibration mode

Manual calibration mode is enabled by entering 0x0401 into register R7. When the terminal has accepted the value, then setting

- [CB2.1 \[▸ 39\]](#) = 0 switches to analog converter U_{diff}
- [CB2.1 \[▸ 39\]](#) = 1 switches to the analog converter U_{Ref}

Output data word [DataOUT1 \[▸ 36\]](#) can be used to change the [operation mode \[▸ 11\]](#) of the KL3356.

Command 0x7000: Restore Factory Settings

Entering 0x7000 in register R7 restores the delivery state for the following registers:

R19 [▸ 46] : 0	R40 [▸ 49] : 1800 _{dec}
R20 [▸ 46] : 0x0100	R41 [▸ 50] : 10 _{dec}
R32 [▸ 47] : 0x0380	R43 [▸ 50] : 50 _{dec}
R33 [▸ 47] : 0	R44 [▸ 50] : 3
R34 [▸ 48] : 0x0800	R45 [▸ 50] : 5000 _{dec}
R35 [▸ 48] : 5	R46 [▸ 50] : 100 _{dec}
R36 [▸ 48] : 2	R47 [▸ 51] : 50 _{dec}
R37 [▸ 48] : 0x35C0	R48 [▸ 51] : 5
R38 [▸ 49] : 1000 _{dec}	R49 [▸ 51] : 2000 _{dec}
R39 [▸ 49] : 3600 _{dec}	

R8: terminal designation

The name of the terminal is contained in register R8. KL3356: 0x0D1C (3356_{dec})

R9: firmware version

Register R9 contains the ASCII coding of the terminal's firmware version, e.g. **0x3141** = **'1A'**. The **'0x31'** corresponds here to the ASCII character **'1'**, while the **'0x41'** represents the ASCII character **'A'**. This value cannot be changed.

R16: hardware version number

Register R16 contains the hardware version of the terminal; this value cannot be changed.

R19: manufacturer scaling - offset

This register contains the offset of the manufacturer scaling. Manufacturer scaling can be enabled through [R32.1 \[▸ 47\]](#) in the feature register.

R20: manufacturer scaling - gain

This register contains the gain of the manufacturer scaling (16 bit unsigned integer $\times 2^{-8} + 1$).

Examples:

0x0080 (128_{dec}) means factor 0.5

0x0100 (256_{dec}) means factor 1.0

Manufacturer scaling can be enabled through [R32.1 \[▸ 47\]](#) in the feature register.

R31: codeword register

- If you write values into the user registers without first entering the user code word (0x1235) into the code word register, the terminal will not accept the supplied data.

- If you write values into the user registers and have previously entered the user code word (0x1235) in the code word register, these values are stored in the RAM registers and in the SEEPROM registers and are therefore retained if the terminal is restarted.

The code word is reset if the terminal is restarted.

Register page 0 (access selectable via register R4 [▶ 45])

These registers are also used for parameterization of the KL3356.

Feature register (R32)

The feature register specifies the terminal's configuration.

Bit	R32.15	R32.14	R32.13	R32.12	R32.11	R32.10	R32.9	R32.8
Name	-	-	-	WaitForStableValue	ScalingUnit	enUsrCali	enStabCali	enScaling

Bit	R32.7	R32.6	R32.5	R32.4	R32.3	R32.2	R32.1	R32.0
Name	enSymm	disRef	disTest	disCali	-	disWdTimer	enManScal	enUsrScal

Key

Bit	Name	Description	Default
R32.15	-	reserved	0 _{bin}
...
R32.13	-	reserved	0 _{bin}
R32.12	WaitForStableValue	0 _{bin} After a calibration or measurement of the reference voltage, the KL3365 outputs the measured value immediately. Small peaks may still be displayed.	0 _{bin}
		1 _{bin} After a calibration or measurement of the reference voltage, the KL3365 waits with the measured value output until the weight value has become stable.	
R32.11	ScalingUnit	0 _{bin} Unit of R36 = 1 mV/V	0 _{bin}
		1 _{bin} Unit of R36 = 0,01 mV/V	
R32.10	enUsrCali	0 _{bin} User scaling (see formula 1.3.0 [▶ 11]) is active if bit 32.0 is set.	0 _{bin}
		1 _{bin} User calibration (see formula 1.3.1 [▶ 11]) is active if bit 32.0 is set.	
R32.9	enStabCali	0 _{bin} Calibration stabilization not active	1 _{bin}
		1 _{bin} Calibration stabilization active	
R32.8	enScaling	0 _{bin} Scale factor is not active	1 _{bin}
		1 _{bin} Scale factor is active	
R32.7	enSymm	0 _{bin} Symmetrical measurement is not active	1 _{bin}
		1 _{bin} Symmetrical measurement is active	
R32.6	disRef	0 _{bin} Cyclic reference measurement is active	0 _{bin}
		1 _{bin} Cyclic reference measurement is not active	
R32.5	disTest	0 _{bin} Cyclic testing is active	0 _{bin}
		1 _{bin} Cyclic testing is not active	
R32.4	disCali	0 _{bin} Cyclic calibration of the A/D converter is active	0 _{bin}
		1 _{bin} Cyclic calibration of the A/D converter is not active	
R32.3	-	reserved	0 _{bin}
R32.2	disWdTimer	0 _{bin} Watchdog timer is active (the watchdog is triggered if no process data are received for 100 ms)	0 _{bin}
		1 _{bin} Watchdog timer is not active	
R32.1	enManScal	0 _{bin} Manufacturer scaling is not active	0 _{bin}
		1 _{bin} Manufacturer scaling is active	
R32.0	enUsrScal	0 _{bin} User scaling and user calibration are not active	0 _{bin}
		1 _{bin} User scaling or user calibration (depending on bit 32.10) is active	

R33: user scaling - offset

This register contains the offset of the user scaling. User scaling can be enabled in the feature register via bit R32.0 [▶ 47].

R34: user scaling - gain

This register contains the gain of the user scaling (16 bit unsigned integer $\times 2^{-11} + 1$).

Examples:

0x0100 (1024_{dec}) means factor 0.5

0x0800 (2048_{dec}) means factor 1.0

User scaling can be enabled in the feature register via bit [R32.0](#) [[▶ 47](#)].

R35: nominal weight of the load cell

The nominal weight of the connected load cell is entered into register R35. The unit is 1 kg.

R36: nominal parameter of the load cell

The nominal parameter of the connected load cell is entered into register R36. The unit is 1 mV / V.

R37: Filter constant of the A/D converter, and configuration bits for the filter

The KL3356 possesses two low-pass filter stages:

- The first stage consists of a sinc³ filter, and is always active.
- The second stage consists of a 22nd order FIR filter, which can be disabled (FIR: finite impulse response, i.e. a non-recursive filter).

Bit	15	14	13	12	11	10	9	8	7	6	5	4	3	2	1	0
Name	Filter constants SF (SF.11 to SF.0)												Zero	Zero	SkipFIR	Fast

Key

Bit	Name	Description	Default
R37.15	Filter constant SF (SF.11 - SF.0)	The filter constant <i>SF</i> specifies the 3dB limit frequency of the sinc ³ filter. The value ranges from 150 to 2047. The 3 dB limit frequency F_{Limit} and the 64.5 dB stop frequency F_{Stop} are calculated as follows:	35C _{hex} (860 _{dec})
...			
R37.4			

$$\begin{aligned} \text{SkipFIR} = 0 & \quad F_{Limit} = 11981 / SF \\ & \quad F_{Stop} = 43008 / SF \\ \text{SkipFIR} = 1 & \quad F_{Limit} = 80486 / SF \end{aligned}$$

Bit	Name	Description	Default
R37.3	Zero	0 _{bin} (see note below)	0 _{bin}
R37.2	Zero	0 _{bin}	0 _{bin}

Do not change these bits

i Bits R37.2 and R37.3 always have to be 0_{bin}, in order to avoid errors in the A/D converter!

Bit	Name	Description	Default
R37.1	SkipFIR	0 _{bin}	FIR filter is enabled.
		1 _{bin}	FIR filter is bypassed.
R37.0	Fast	0 _{bin}	Fast Step Mode is disabled.
		1 _{bin}	Fast Step Mode is active: a fast reaction will follow jumps at the input, in spite of the filter stage being active. In this case the filter is bypassed!

Recommended values

Value in R37	F _{stop}	Cycle time
0x35C0	50 Hz	140 ms
0x2660	70 Hz	100 ms
0x1330	140 Hz	50 ms
0x7FF1		40 ms
0x3FF1		20 ms
0x1001		<4 ms

Value in R37	F _{limit}	Cycle time
0x7FF2	39.6 Hz	40 ms
0x3FF2	77.36 Hz	20 ms
0x1002	158 Hz	<4 ms

R38: scaling factor

This register contains the scale factor.

Examples:

0x0001 (01_{dec}) means factor 1

0x000A (10_{dec}) means factor 10

The scale factor can be enabled through bit [R32.8 \[▶ 47\]](#) in the feature register.

R39: Measuring interval for reference signal

This register contains the measuring interval for the cyclic reference measurement. The unit is 100 ms (default: 3600_{dec} = 360 s). The cyclic reference measurement can be enabled through bit [R32.6 \[▶ 47\]](#) in the feature register.

This interval should not be chosen too small. With each measurement of the reference signal, the weight measurement value is temporarily invalidated (consider [R0.2 \[▶ 44\]](#)). With short measurement intervals, the number of measurements is significantly higher and therefore a low ratio of valid to invalid weight measurement values results with many reference measurements.

If cyclically invalid weight values have too great an influence on the application, the reference measurement and calibrations (calibration and forced calibration) can be switched off via the [CB2.1 \[▶ 39\]](#) control bit. Then no reference measurement and calibration will take place permanently. However, it is recommended to reactivate the bit temporarily at a suitable moment, when no weight measurement is taking place, in order to achieve a higher measurement accuracy. If the time for the reference measurement/(forced) calibration interval has expired when the control bit is deactivated, a (forced) calibration and reference measurement is performed.

R40: Calibration interval

This register contains the calibration interval for the terminal's automatic calibration. The unit is 100 ms (default: 1800_{dec} = 180 s). The automatic calibration can be enabled through bit [R32.4 \[▶ 47\]](#) in the feature register.

This interval should not be chosen too small. With each calibration, the weight measurement value becomes temporarily invalid (consider [R0.2 \[▶ 44\]](#)). With short calibration intervals, the number of measurements is significantly higher and therefore a low ratio of valid to invalid weight readings results with many calibrations.

If cyclically invalid weight values have too great an influence on the application, the reference measurement and calibrations (calibration and forced calibration) can be switched off via the [CB2.1 \[▶ 39\]](#) control bit. Then no reference measurement and calibration will take place permanently. However, it is recommended to reactivate the bit temporarily at a suitable moment, when no weight measurement is taking place, in order to

achieve a higher measurement accuracy. If the time for the reference measurement/(forced) calibration interval has expired when the control bit is deactivated, a (forced) calibration and reference measurement is performed.

R41: Test interval

This register contains the test interval for the terminal's cyclic testing. This interval is always a multiple (default: 3_{dec}) of the calibration interval (R40). The test interval when the terminal leaves the factory is therefore $10 \times 180 \text{ s} = 1800 \text{ s}$. The cyclic testing can be enabled through bit [R32.5](#) [[▶ 47](#)] in the feature register.

R42: nominal test value

This register contains the terminal's nominal test value.

During the production of the terminal, the actual test value is transferred from register 5 to the nominal test value register R42. This value provides information about a voltage resulting from an internal reference voltage source and a voltage divider.

During a calibration, the system checks whether the value is within the tolerance given by registers R42 and R43. This can be used to determine whether there is an internal defect (e.g. faulty analog switch).

This value may change slightly over time (due to ageing of the electrical components). If necessary, the actual test value of register R5 should therefore be transferred to register R42 from time to time. This can be done safely, because in case of an error the value will approach 0 or 65535.

R43: test tolerance

This register contains the test tolerance of the terminal (+/-).

R44: Forced calibration interval

This register contains the interval for the terminal's forced calibration. This interval is always a multiple (default: 3_{dec}) of the calibration interval (R40). The interval for forced calibration when the terminal leaves the factory is therefore $3 \times 180 \text{ s} = 540 \text{ s}$.

If register R44 is set to 0 set, forced calibration is switched off completely.

With each forced calibration, the weight measurement value is invalid for the time of the calibration (consider [R0.2](#) [[▶ 44](#)]).

If cyclically invalid weight values have too great an influence on the application, the reference measurement and the calibrations (calibration and forced calibration) can be switched off via control bit [CB2.1](#) [[▶ 39](#)]. Then no reference measurement and calibration will take place permanently. However, it is recommended to reactivate the bit temporarily at a suitable moment, when no weight measurement is taking place, in order to achieve a higher measurement accuracy. If the time for the reference measurement/(forced) calibration interval has expired when the control bit is deactivated, a (forced) calibration and reference measurement is performed.

R45: threshold for reference voltage test

This register contains the limit for the reference voltage test. The unit is 1 mV. If the reference voltage is found to be below this limit, bit [R0.14](#) [[▶ 44](#)] is set in the status word.

R46: threshold for correction factor

This register contains the limit value for the correction factor. A correction factor for the differential signal is determined in the course of calibration. When measuring the internal reference, this results from the quotient of the reference and differential signal. To represent it more clearly, the result is normalized to 10000 ($U_{Ref} / U_{Diff} \times 10000$), which means that 10000 corresponds to a factor of 1. In mapped calibration data, the correction factor is output in [R5](#) [[▶ 45](#)]. If the difference between the correction factor and 10000 (10000 - correction factor) is greater than this limit, bit [R0.15](#) [[▶ 44](#)] is set in the status word.

R47: calibration stabilization - number of stable measured values

Default: 50

R48: calibration stabilization - tolerance for measurement stability

Default: 5

R49: manual calibration weight

Default: 2000 grams

Register page 1 (access selectable via register [R4](#) [[▶ 45](#)])**R32 to R63: freely allocatable SEEPROM memory**

Registers R32 to R63 on register page 1 are freely available, non-volatile registers that can be used to store 2 x 32 words of user data. Because these values are stored in SEEPROM, they are retained when the terminal is restarted.

Register page 2 (access selectable via register [R4](#) [[▶ 45](#)])**R32 to R63: freely allocatable SEEPROM memory**

Registers R32 to R63 on register page 2 are freely available, non-volatile registers that can be used to store 2 x 32 words of user data. Because these values are stored in SEEPROM, they are retained when the terminal is restarted.

5.6 Examples of Register Communication

The numbering of the bytes in the examples corresponds to the display without word alignment.

5.6.1 Example 1: reading the firmware version from Register 9

Output Data

Byte 0: Control byte	Byte 1: DataOUT1, high byte	Byte 2: DataOUT1, low byte
0x89 (1000 1001 _{bin})	0xXX	0xXX

Explanation:

- Bit 0.7 set means: Register communication switched on.
- Bit 0.6 not set means: reading the register.
- Bits 0.5 to 0.0 specify the register number 9 with 00 1001_{bin}.
- The output data word (byte 1 and byte 2) has no meaning during read access. To change a register, write the required value into the output word.

Input Data (answer of the Bus Terminal)

Byte 0: Status byte	Byte 1: DataIN1, high byte	Byte 2: DataIN1, low byte
0x89	0x33	0x41

Explanation:

- The terminal returns the value of the control byte as a receipt in the status byte.
- The terminal returns the firmware version 0x3341 in the input data word (byte 1 and byte 2). This is to be interpreted as an ASCII code:
 - ASCII code 0x33 represents the digit 3
 - ASCII code 0x41 represents the letter A
 The firmware version is thus 3A.

5.6.2 Example 2: Writing to a user register

i Code word

In normal mode all user registers are read-only with the exception of Register 31. In order to deactivate this write protection you must write the code word (0x1235) into Register 31. If a value other than 0x1235 is written into Register 31, write protection is reactivated. Please note that changes to a register only become effective after restarting the terminal (power-off/power-on).

I. Write the code word (0x1235) into Register 31.

Output Data

Byte 0: Control byte	Byte 1: DataOUT1, high byte	Byte 2: DataOUT1, low byte
0xDF (1101 1111 _{bin})	0x12	0x35

Explanation:

- Bit 0.7 set means: Register communication switched on.
- Bit 0.6 set means: writing to the register.
- Bits 0.5 to 0.0 specify the register number 31 with 01 1111_{bin}.

- The output data word (byte 1 and byte 2) contains the code word (0x1235) for deactivating write protection.

Input Data (answer of the Bus Terminal)

Byte 0: Status byte	Byte 1: DataIN1, high byte	Byte 2: DataIN1, low byte
0x9F (1001 1111 _{bin})	0xXX	0xXX

Explanation:

- The terminal returns a value as a receipt in the status byte that differs only in bit 0.6 from the value of the control byte.
- The input data word (byte 1 and byte 2) is of no importance after the write access. Any values still displayed are invalid!

II. Read Register 31 (check the set code word)

Output Data

Byte 0: Control byte	Byte 1: DataOUT1, high byte	Byte 2: DataOUT1, low byte
0x9F (1001 1111 _{bin})	0xXX	0xXX

Explanation:

- Bit 0.7 set means: Register communication switched on.
- Bit 0.6 not set means: reading the register.
- Bits 0.5 to 0.0 specify the register number 31 with 01 1111_{bin}.
- The output data word (byte 1 and byte 2) has no meaning during read access.

Input Data (answer of the Bus Terminal)

Byte 0: Status byte	Byte 1: DataIN1, high byte	Byte 2: DataIN1, low byte
0x9F (1001 1111 _{bin})	0x12	0x35

Explanation:

- The terminal returns the value of the control byte as a receipt in the status byte.
- The terminal returns the current value of the code word register in the input data word (byte 1 and byte 2).

III. Write to Register 32 (change contents of the feature register)

Output data

Byte 0: Control byte	Byte 1: DataIN1, high byte	Byte 2: DataIN1, low byte
0xE0 (1110 0000 _{bin})	0x00	0x02

Explanation:

- Bit 0.7 set means: Register communication switched on.
- Bit 0.6 set means: writing to the register.
- Bits 0.5 to 0.0 indicate register number 32 with 10 0000_{bin}.
- The output data word (byte 1 and byte 2) contains the new value for the feature register.

⚠ CAUTION**Observe the register description!**

The value of 0x0002 given here is just an example!

The bits of the feature register change the properties of the terminal and have a different meaning, depending on the type of terminal. Refer to the description of the feature register of your terminal (chapter *Register description*) regarding the meaning of the individual bits before changing the values.

Input data (response from the Bus Terminal)

Byte 0: Status byte	Byte 1: DataIN1, high byte	Byte 2: DataIN1, low byte
0xA0 (1010 0000 _{bin})	0xXX	0xXX

Explanation:

- The terminal returns a value as a receipt in the status byte that differs only in bit 0.6 from the value of the control byte.
- The input data word (byte 1 and byte 2) is of no importance after the write access. Any values still displayed are invalid!

IV. Read Register 32 (check changed feature register)**Output Data**

Byte 0: Control byte	Byte 1: DataOUT1, high byte	Byte 2: DataOUT1, low byte
0xA0 (1010 0000 _{bin})	0xXX	0xXX

Explanation:

- Bit 0.7 set means: Register communication switched on.
- Bit 0.6 not set means: reading the register.
- Bits 0.5 to 0.0 indicate register number 32 with 10 0000_{bin}.
- The output data word (byte 1 and byte 2) has no meaning during read access.

Input Data (answer of the Bus Terminal)

Byte 0: Status byte	Byte 1: DataIN1, high byte	Byte 2: DataIN1, low byte
0xA0 (1010 0000 _{bin})	0x00	0x02

Explanation:

- The terminal returns the value of the control byte as a receipt in the status byte.
- The terminal returns the current value of the feature register in the input data word (byte 1 and byte 2).

V. Write Register 31 (reset code word)**Output Data**

Byte 0: Control byte	Byte 1: DataOUT1, high byte	Byte 2: DataOUT1, low byte
0xDF (1101 1111 _{bin})	0x00	0x00

Explanation:

- Bit 0.7 set means: Register communication switched on.
- Bit 0.6 set means: writing to the register.
- Bits 0.5 to 0.0 specify the register number 31 with 01 1111_{bin}.
- The output data word (byte 1 and byte 2) contains 0x0000 for reactivating write protection.

Input Data (answer of the Bus Terminal)

Byte 0: Status byte	Byte 1: DataIN1, high byte	Byte 2: DataIN1, low byte
0x9F (1001 1111 _{bin})	0xXX	0xXX

Explanation:

- The terminal returns a value as a receipt in the status byte that differs only in bit 0.6 from the value of the control byte.
- The input data word (byte 1 and byte 2) is of no importance after the write access. Any values still displayed are invalid!

6 Appendix

6.1 Support and Service

Beckhoff and their partners around the world offer comprehensive support and service, making available fast and competent assistance with all questions related to Beckhoff products and system solutions.

Beckhoff's branch offices and representatives

Please contact your Beckhoff branch office or representative for local support and service on Beckhoff products!

The addresses of Beckhoff's branch offices and representatives round the world can be found on her internet pages: <https://www.beckhoff.com>

You will also find further documentation for Beckhoff components there.

Beckhoff Support

Support offers you comprehensive technical assistance, helping you not only with the application of individual Beckhoff products, but also with other, wide-ranging services:

- support
- design, programming and commissioning of complex automation systems
- and extensive training program for Beckhoff system components

Hotline: +49 5246 963 157
Fax: +49 5246 963 9157
e-mail: support@beckhoff.com

Beckhoff Service

The Beckhoff Service Center supports you in all matters of after-sales service:

- on-site service
- repair service
- spare parts service
- hotline service

Hotline: +49 5246 963 460
Fax: +49 5246 963 479
e-mail: service@beckhoff.com

Beckhoff Headquarters

Beckhoff Automation GmbH & Co. KG

Huelshorstweg 20
33415 Verl
Germany

Phone: +49 5246 963 0
Fax: +49 5246 963 198
e-mail: info@beckhoff.com
web: <https://www.beckhoff.com>

Table of figures

Fig. 1	KL3356	9
Fig. 2	Characteristic curves for calibration.....	13
Fig. 3	LEDs	15
Fig. 4	Attaching on mounting rail	16
Fig. 5	Disassembling of terminal.....	17
Fig. 6	Power contact on left side.....	18
Fig. 7	Standard wiring.....	19
Fig. 8	Pluggable wiring	20
Fig. 9	High Density Terminals.....	20
Fig. 10	Connecting a cable on a terminal point	21
Fig. 11	Connection.....	23
Fig. 12	KL3356 - application example	24
Fig. 13	KS2000 configuration software.....	27
Fig. 14	Display of the fieldbus station in KS2000	29
Fig. 15	KS2000 branch for channel 1 of the KL3356.....	29
Fig. 16	Settings via KS2000	30
Fig. 17	Settings of KL3314 via visualisation of TwinCAT 3	33
Fig. 18	Opening the *.tnzip archive.....	34
Fig. 19	Search of the existing HW configuration for the EtherCAT configuration of the example	34

More Information:
www.beckhoff.com/KL3356

Beckhoff Automation GmbH & Co. KG
Hülshorstweg 20
33415 Verl
Germany
Phone: +49 5246 9630
info@beckhoff.com
www.beckhoff.com

