

Manual | EN

TS6360

TwinCAT 2 | Virtual Serial COM Driver

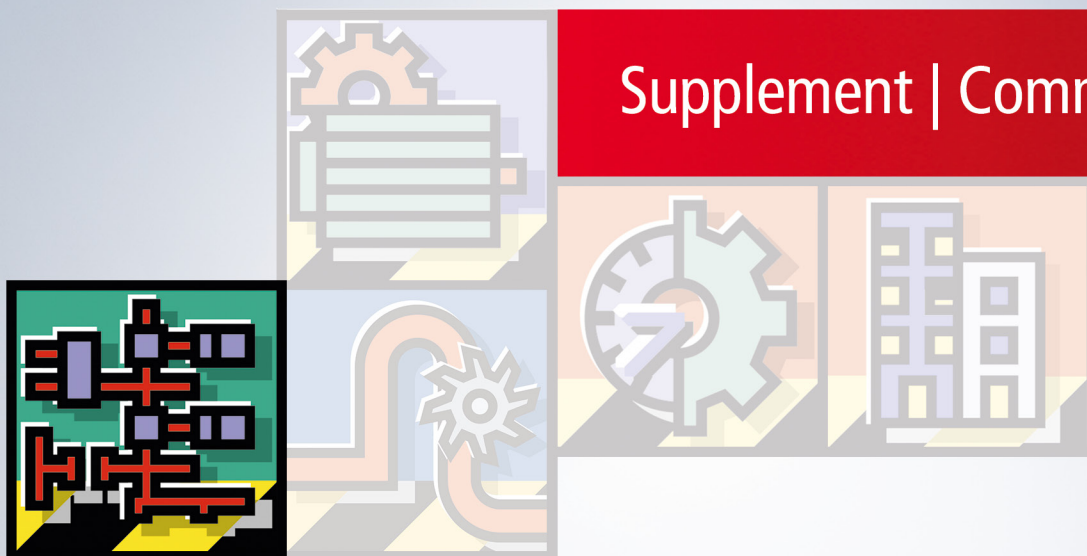


Table of contents

1 Foreword	5
1.1 Notes on the documentation	5
1.2 Safety instructions	6
1.3 Notes on information security.....	7
2 Overview	8
3 System Requirements	9
4 Installation on Windows XP System	10
5 Installation on CE System	11
6 Architecture	12
7 Configuration with System Manager	14
8 Shared use of EL60xx bus terminal from PLC	18
9 Behavior on TwinCAT Start and Stop	19
10 Additional Remarks	20

1 Foreword

1.1 Notes on the documentation

This description is only intended for the use of trained specialists in control and automation engineering who are familiar with applicable national standards.

It is essential that the documentation and the following notes and explanations are followed when installing and commissioning the components.

It is the duty of the technical personnel to use the documentation published at the respective time of each installation and commissioning.

The responsible staff must ensure that the application or use of the products described satisfy all the requirements for safety, including all the relevant laws, regulations, guidelines and standards.

Disclaimer

The documentation has been prepared with care. The products described are, however, constantly under development.

We reserve the right to revise and change the documentation at any time and without prior announcement. No claims for the modification of products that have already been supplied may be made on the basis of the data, diagrams and descriptions in this documentation.

Trademarks

Beckhoff®, TwinCAT®, TwinCAT/BSD®, TC/BSD®, EtherCAT®, EtherCAT G®, EtherCAT G10®, EtherCAT P®, Safety over EtherCAT®, TwinSAFE®, XFC®, XTS® and XPlanar® are registered trademarks of and licensed by Beckhoff Automation GmbH.

Other designations used in this publication may be trademarks whose use by third parties for their own purposes could violate the rights of the owners.

Patent Pending

The EtherCAT Technology is covered, including but not limited to the following patent applications and patents:

EP1590927, EP1789857, EP1456722, EP2137893, DE102015105702
with corresponding applications or registrations in various other countries.

EtherCAT®

EtherCAT® is a registered trademark and patented technology, licensed by Beckhoff Automation GmbH, Germany

Copyright

© Beckhoff Automation GmbH & Co. KG, Germany.

The reproduction, distribution and utilization of this document as well as the communication of its contents to others without express authorization are prohibited.

Offenders will be held liable for the payment of damages. All rights reserved in the event of the grant of a patent, utility model or design.

1.2 Safety instructions

Safety regulations

Please note the following safety instructions and explanations!
Product-specific safety instructions can be found on following pages or in the areas mounting, wiring, commissioning etc.

Exclusion of liability

All the components are supplied in particular hardware and software configurations appropriate for the application. Modifications to hardware or software configurations other than those described in the documentation are not permitted, and nullify the liability of Beckhoff Automation GmbH & Co. KG.

Personnel qualification

This description is only intended for trained specialists in control, automation and drive engineering who are familiar with the applicable national standards.

Description of symbols

In this documentation the following symbols are used with an accompanying safety instruction or note. The safety instructions must be read carefully and followed without fail!

DANGER

Serious risk of injury!

Failure to follow the safety instructions associated with this symbol directly endangers the life and health of persons.

WARNING

Risk of injury!

Failure to follow the safety instructions associated with this symbol endangers the life and health of persons.

CAUTION

Personal injuries!

Failure to follow the safety instructions associated with this symbol can lead to injuries to persons.

NOTE

Damage to the environment or devices

Failure to follow the instructions associated with this symbol can lead to damage to the environment or equipment.



Tip or pointer

This symbol indicates information that contributes to better understanding.

1.3 Notes on information security

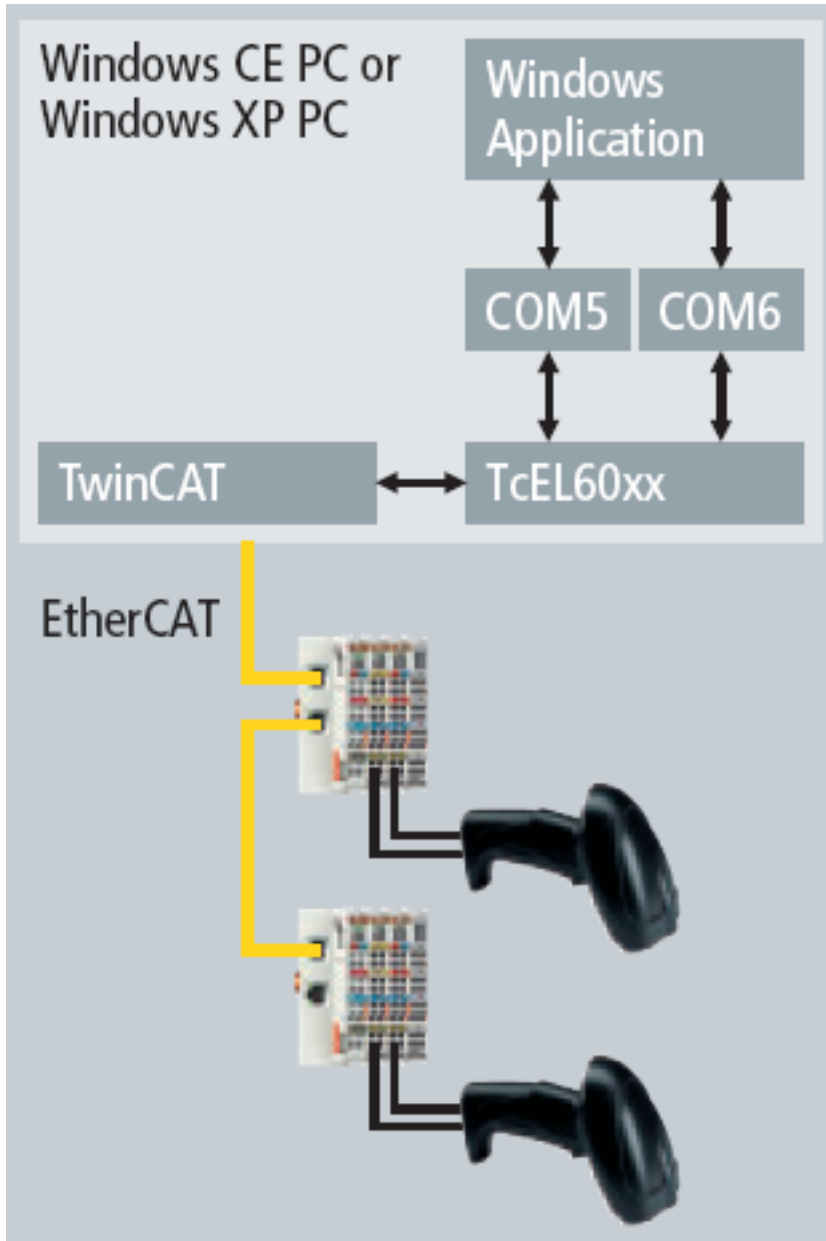
The products of Beckhoff Automation GmbH & Co. KG (Beckhoff), insofar as they can be accessed online, are equipped with security functions that support the secure operation of plants, systems, machines and networks. Despite the security functions, the creation, implementation and constant updating of a holistic security concept for the operation are necessary to protect the respective plant, system, machine and networks against cyber threats. The products sold by Beckhoff are only part of the overall security concept. The customer is responsible for preventing unauthorized access by third parties to its equipment, systems, machines and networks. The latter should be connected to the corporate network or the Internet only if appropriate protective measures have been set up.

In addition, the recommendations from Beckhoff regarding appropriate protective measures should be observed. Further information regarding information security and industrial security can be found in our <https://www.beckhoff.com/secguide>.

Beckhoff products and solutions undergo continuous further development. This also applies to security functions. In light of this continuous further development, Beckhoff expressly recommends that the products are kept up to date at all times and that updates are installed for the products once they have been made available. Using outdated or unsupported product versions can increase the risk of cyber threats.

To stay informed about information security for Beckhoff products, subscribe to the RSS feed at <https://www.beckhoff.com/secinfo>.

2 Overview



The TwinCAT-Virtual-Serial-COM-Driver creates serial ports ("COMx") for one or multiple E-Bus terminals EL6001 under Windows CE or Windows XP. With the System Manager one can configure individually for each terminal, if and on which host a serial port should be created. Access to such a serial port is provided through the standard Window API for serial communication. This allows to use existing Windows applications to receive data from devices with support for serial connections via an EL6001 terminal.

There are two variants of the driver, one for Windows CE and the other for Windows XP. Both variants have the same range of functions.

3 System Requirements

- General requirement is TwinCAT 2.10 Build 1328 which is needed for virtual COM ports under Windows XP and for configuration
- Virtual COM port under CE requires a Windows CE 6.0 Image version 306b or later

4 Installation on Windows XP System

For installation of TwinCAT Virtual Serial COM driver the setup program TcVirtualSerialCOMDrv.exe must be executed, which is located on the "Beckhoff Software Products" CD in subdirectory Supplement\TwinCAT_Virtual_Serial_COM_Driver\Install.

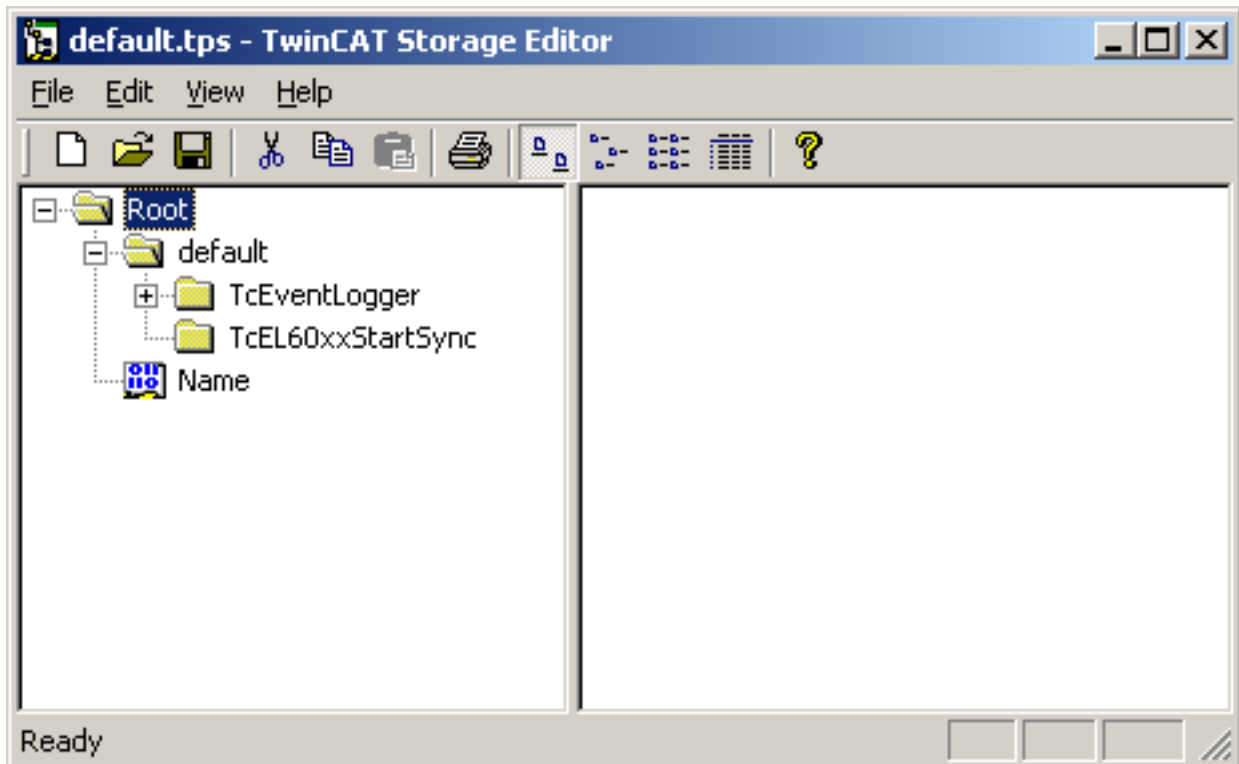
After successful installation the Windows Device Manager shows under entry "TwinCAT Virtual Serial COM" one single "TwinCAT Virtual Serial COM Device". If a previous version was installed, this version is replaced by the new driver.

The CE driver CAB files are stored within the TwinCAT system directory (default is "c:\TwinCAT\CE\Virtual Serial COM Driver CE").

Note, that virtual serial ports created by the Virtual Serial COM driver are **not visible** in the Windows Device Manager.

Starting with version 1.16 the setup installs the TwinCAT Server TcEL60xxStartSync. TwinCAT is stopped and the TwinCAT Server is added to "Default.tps". TcEL60xxStartSync synchronizes TwinCAT system start with the start of the TwinCAT Virtual Serial COM driver. This ensures that the TwinCAT System is not started until the driver has been completely initialized.

TwinCAT Storage Editor ("TcStgEditor.exe" in TwinCAT directory) can be used to open "Default.tps" and shows currently installed TwinCAT Servers. The following figure shows the state after a successful installation.



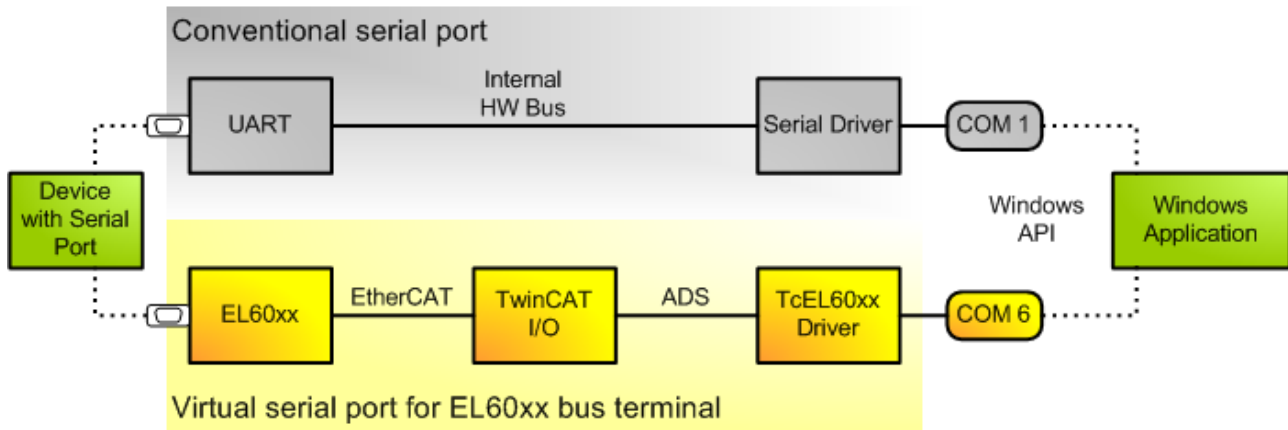
5 Installation on CE System

The CE driver CAB files are stored within the TwinCAT system directory (default is "c:\TwinCAT\CE\Virtual Serial COM Driver CE\"). Installation is identical to all other CE Supplement products (see Supplement Installation)

After installation it is necessary to reboot the CE device by selecting the reset/suspend function within the start menu to activate the driver.

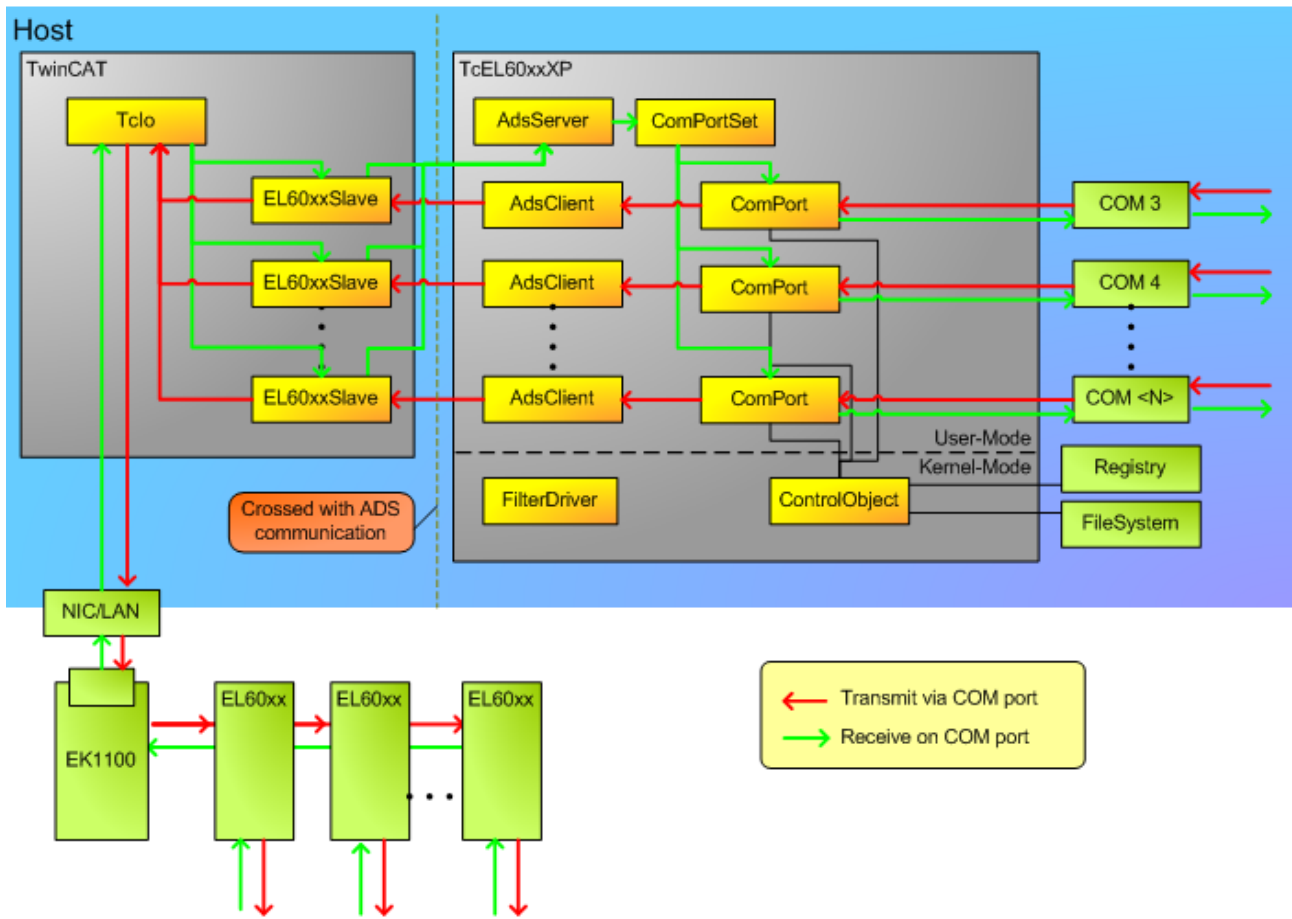
6 Architecture

Considering a conventional serial port the driver communicates with the UART chip through an internal hardware bus. In case of the TwinCAT-Virtual-Serial-COM-Driver this communication is implemented using ADS and EtherCAT protocol.



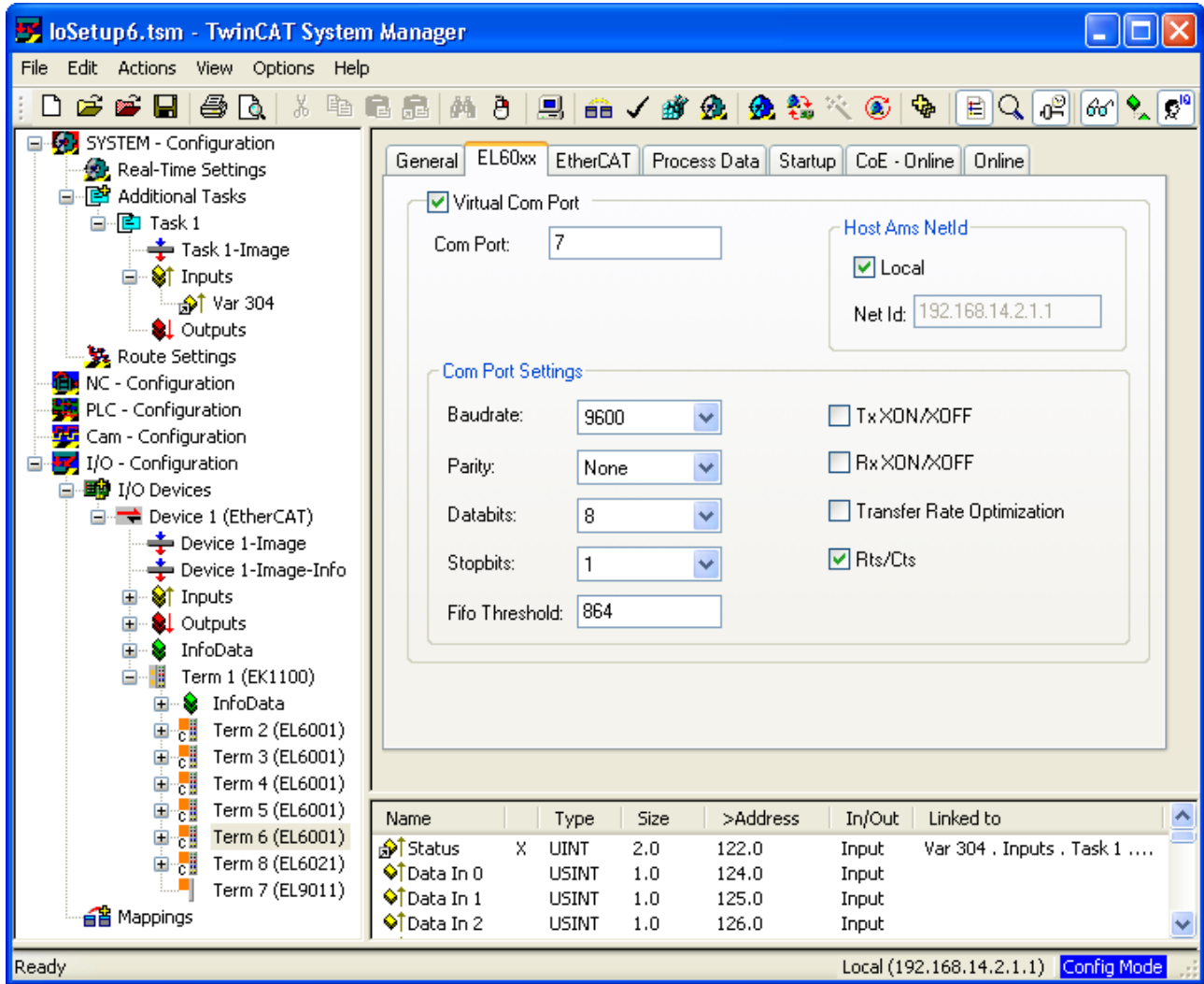
When the driver is installed on a computer, it instantiates an ADS server with fixed port number, the so-called TcEL60xx-AdsServer. This ADS server provides an ADS interface to create serial COM ports. Within the TcIO driver EtherCAT slave objects are the clients of the TcEL60xx-AdsServer. TcIO has a special class of EtherCAT slave objects that are created for each EL60xx bus terminal on TwinCAT start. They have the capability to transmit data packets from the TwinCAT-Virtual-Serial-COM-Driver to the bus terminal, and to receive data from the bus terminal which is in turn forwarded to the driver. The driver will forward it to a Windows application which has a pending read on the respective serial port.

The following image illustrates the architecture for the Windows XP driver variant.



7 Configuration with System Manager

Parameter of virtual COM port



The System Manager provides the EL60xx configuration tab for bus terminals of type EL6001 and EL6021. Figure XX shows this tab. For EL60xx terminals with checked "Virtual Com Port" check box TwinCAT creates on configuration activation a virtual serial COM port. The number of the COM port is defined in edit field "Com Port". Note, that a com port number must be unique within a computer. The computer on which the virtual com port should be created must not have a com port with this number. System manager starts with com port number 6. The com port number must be less than 65536.

Edit field "Host Ams NetId" determines the computer on which the virtual com port should be created. By default the local computer is used, which is the one where the configuration is activated and with which the bus terminal is connected. It is also possible to create the virtual com port on another computer just by changing the "Host Ams NetId" respectively. Note, that the TwinCAT-Virtual-Serial-COM-Driver has to be installed on this computer.

Within "Com Port Settings" panel one can change the common parameters of a com port, i.e. baud rate, parity, data bits, stop bits, and also flow control settings as RTS/CTS, Tx XON/XOFF, and Rx XON/XOFF. The bus terminal is initialized with the configured parameters on TwinCAT activation. However, usually applications that open a com port will also reconfigure it with their own default settings overriding the settings from system manager.

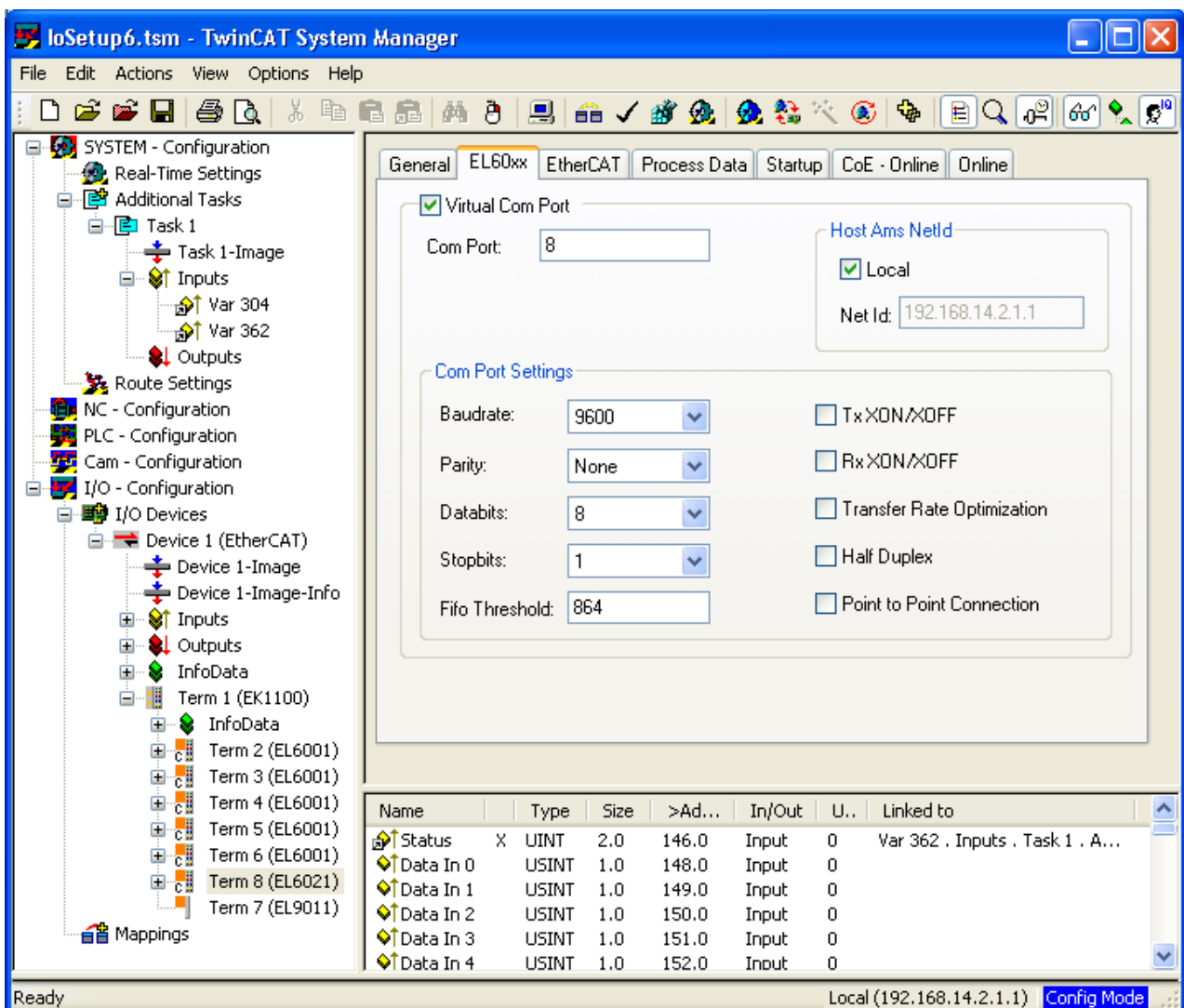
Not all possible combinations of parity, data bit count and stop bit count are valid. The following table lists the allowed combinations:

- 7 data bits, even parity, 1 stop bit
- 7 data bits, even parity, 2 stop bits

- 7 data bits, odd parity, 1 stop bit
- 7 data bits, odd parity, 2 stop bits
- 8 data bits, no parity, 1 stop bit
- 8 data bits, no parity, 2 stop bits
- 8 data bits, even parity, 1 stop bit
- 8 data bits, even parity, 2 stop bits
- 8 data bits, odd parity, 1 stop bit
- 8 data bits, odd parity, 2 stop bits

In addition to common parameters there are some proprietary settings for an EL60xx bus terminal, i.e. "Transfer Rate Optimization" and "Fifo threshold". With enabled "Transfer Rate Optimization" the bus terminal first collects enough data to fill the available space in the process image before it is sent to the Tclo driver. With disabled "Transfer Rate Optimization" the data is sent as soon as possible to the Tclo driver. The "Fifo Threshold" setting determines when the bus terminal indicates "Fifo Full" state.

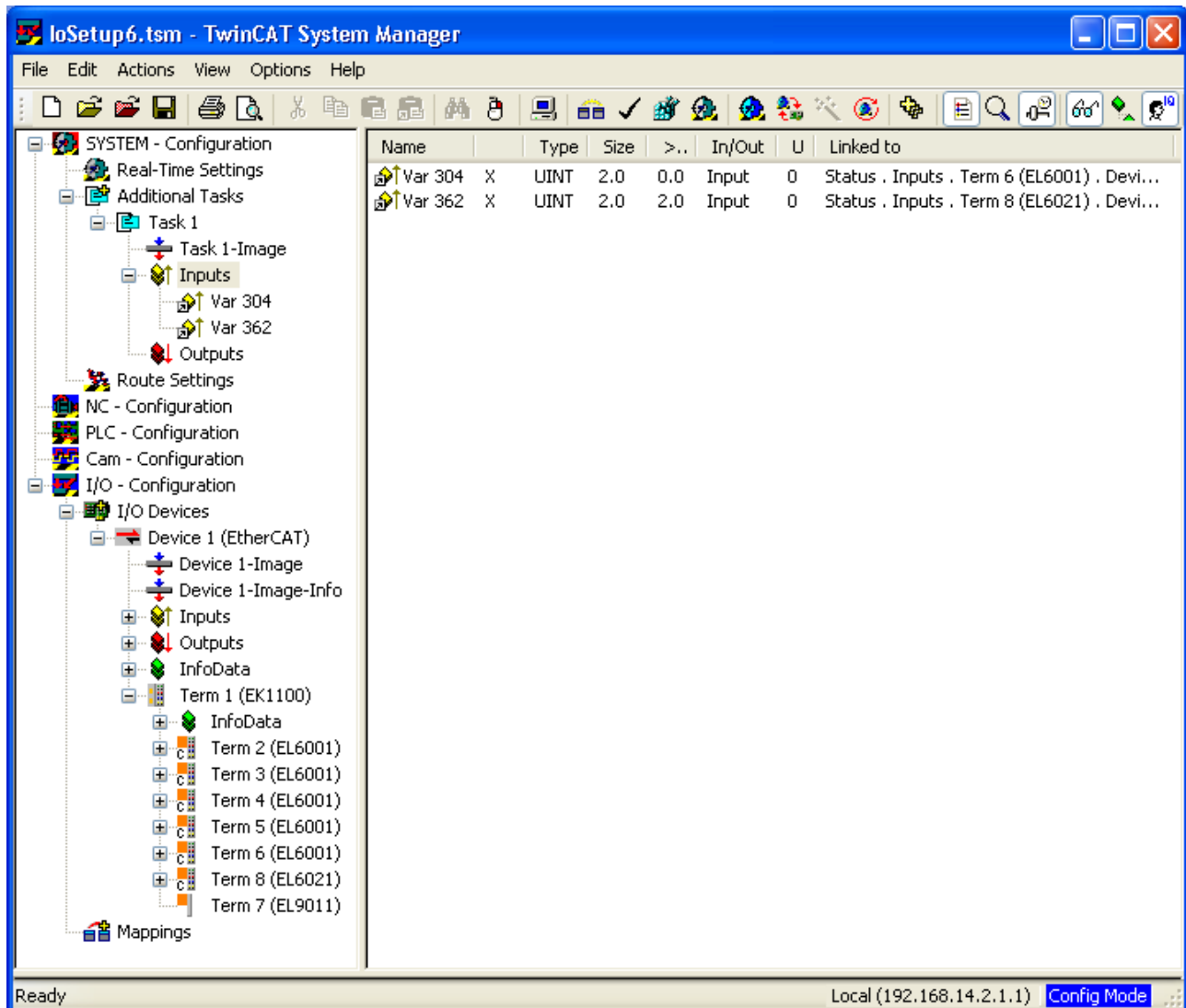
Parameters of the EL6021 bus terminal are somewhat different. Therefore, the configuration dialog differs:



The EL6021 does not support RTS/CTS handshake. It does support a half-duplex mode and it can be configured for point to point connections.

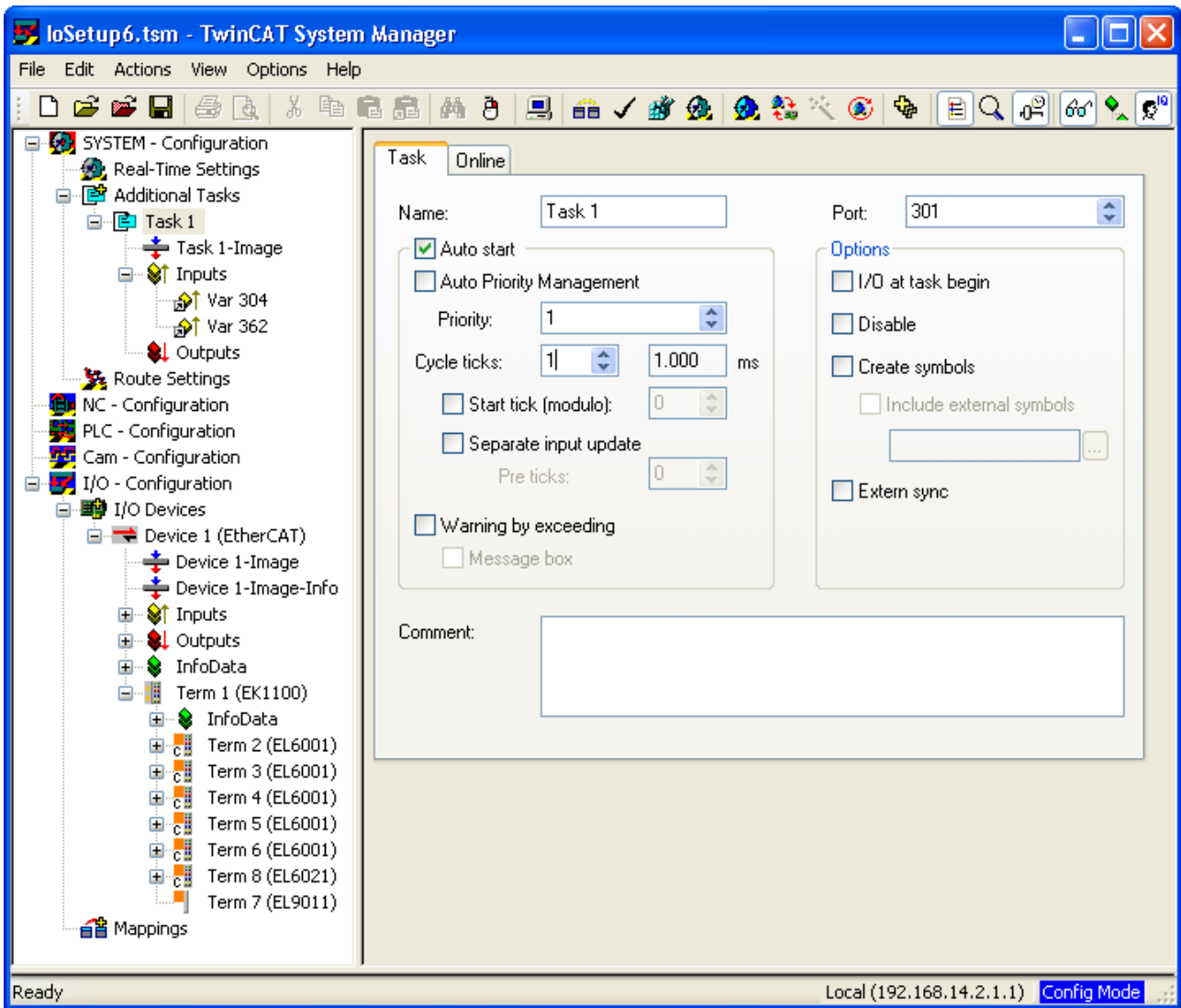
For more details on the special settings refer to bus terminal documentation of EL6001 and EL6021.

Dummy Task



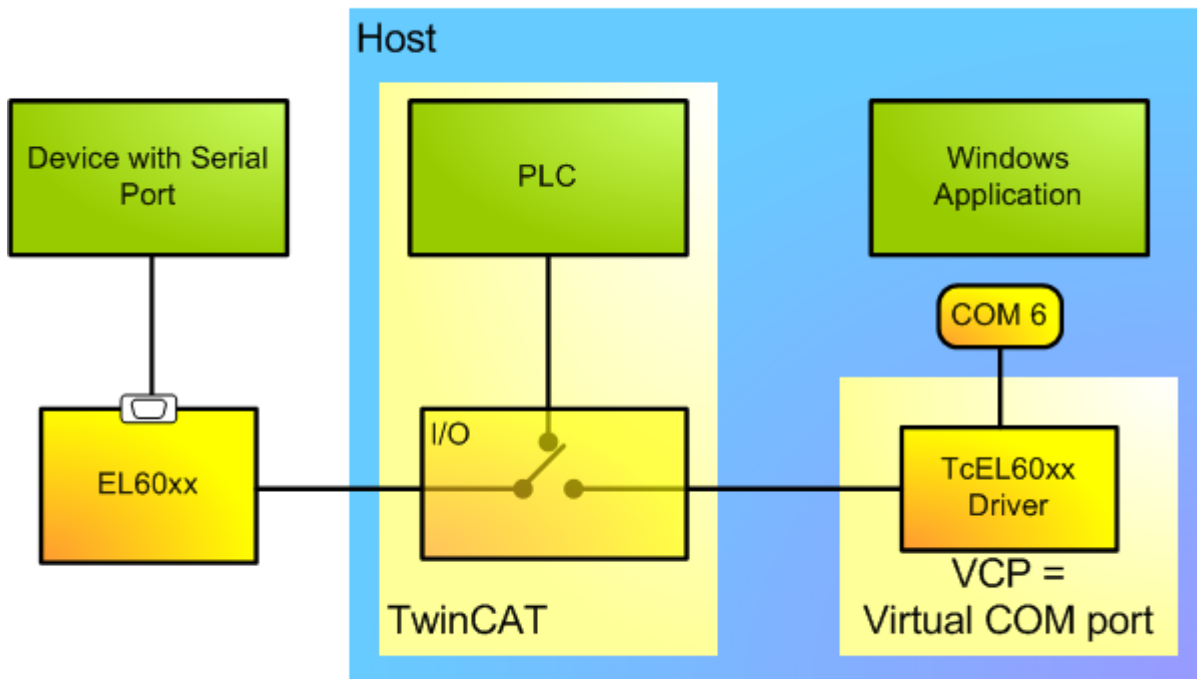
In order for the TwinCAT IO driver to take the process data from a terminal into account, at least one variable of the process data, e.g. the status word "Status", must be linked with a variable from an "Additional Task". If no explicit link exists, the TwinCAT IO driver ignores the process data of the terminal.

In the screenshot above, this additional task has a variable for each virtual COM interface linked to the status word of the corresponding terminal. The "Auto Start" parameter must be enabled for the task. The setting in the "Cycle Ticks" field determines how often the variables are updated. To ensure that the full data rate can be achieved during communication with the terminal, the cycle time should be in the range of 1 ms.



8 Shared use of EL60xx bus terminal from PLC

If an EL60xx bus terminal is utilized from PLC and as virtual COM port, then access to the bus terminal must be coordinated by a superior mechanism. On opening the respective virtual COM port, accesses by PLC are blocked if the virtual COM port is open. When the virtual COM port is closed, PLC can access the bus terminal again. However, the driver will not regard any running transfers. It will also not restore the bus terminal configuration like baud rate, or stop bit settings, even if it has been modified by an application which used it through a virtual COM port.



9 Behavior on TwinCAT Start and Stop

General

On TwinCAT stop all virtual COM ports created by the TcEL60xx driver on this computer are removed. A TwinCAT start creates the virtual COM port defined by the current configuration. An application, which uses one of the virtual COM ports, must close this port before the TwinCAT stop, because in general it is undefined how an application will handle the removal of an open COM port.

Virtual COM Port on Remote Computer

Suppose that a EL60xx bus terminal is connected to computer A, while the associated virtual COM port is created on computer B. The driver handles TwinCAT start and stop as follows:

TwinCAT stop on computer A breaks the connection to the bus terminal while the virtual COM port on computer B persists. Read and write request for the virtual COM port on computer B would fail. A successive TwinCAT start on computer A again creates the virtual COM on computer B. Using the AMS address the EL60xx driver on computer B checks if a virtual COM port for this address exists and removes it respectively. Then the virtual COM port is created, possibly with another number, which could be changed within System Manager.

TwinCAT Stop on computer B removes all virtual COM ports on this computer. After TwinCAT start on computer B virtual COM ports can be created again. However, the virtual COM port, which was created from computer A, will not be available. Not until the TwinCAT on computer A has been restarted the virtual COM port on computer B is created again.

As the TwinCAT on computer B will not be notified when the TwinCAT on computer A is stopped, it is not possible to remove the virtual COM port. If the configuration on computer A is changed, e.g., such that no virtual COM port is created, then an orphaned virtual COM port on computer B persists until the next TwinCAT stop on this computer.

10 Additional Remarks

Limits with respect to normal COM ports

- Interval Timeout
The virtual COM port for an EL60xx bus terminal does not support interval timeouts, because the driver has no access to the required information.
- DSR/DTR Handshake
EL6001 and EL6021 do not have DSR/DTR lines
- Explicit Setting of RTS/CTS lines
The explicit setting of RTS and CTS lines is not supported.
- XON/XOFF char cannot be changed
The EL6001/EL6021 has fixed values for XON and XOFF characters, i.e., 0x11 and 0x13, respectively. These cannot be changed.

Known Issues

- Remote virtual serial port for EL60xx bus terminal on CE Device
A EL60xx bus terminal, connected to computer A, can be used via a virtual serial port on a CE device B, which is connected to computer A via network. However, currently the driver is only activated on a CE device if a bus terminal directly connected to the CE device is used via a virtual serial port. To solve this issue, one can manually activate the driver with an additional entry in the section <Drivers> ... </Drivers> of the CurrentConfig.xml:

```
<Drivers>
  <Driver>
    <Type>1</Type>
    <ServiceName>TCEL60XX</ServiceName>
  </Driver>
  ...
</Drivers>
```

Solved Issues

Starting with software version 03 (last two digits of the bus terminal serial number) the following issues with bus terminals EL6001 and EL6021 are solved. (Note, that software version 03 contains the firmware version 00.04)

- Diagnostic bits (solved with new EL60xx firmware, V00.xx)
Diagnostic bits (Parity, data frame, buffer overflow) of bus terminal cannot be provided by the driver.
- Spurious XON characters (0x11) (solved with new EL60xx firmware, V00.xx)
If the "XON/XOFF support for Rx" feature of the EL6001 is enabled, then it sends an XON character every time a configuration parameter is written to the bus terminal. For instance, when a virtual COM port is opened, then the current default settings are sent to the bus terminal leading to 10 XON characters being transmitted. If the connected COM port is configured with "XON/XOFF support for Tx" enabled, the spurious XON chars should not affect a data transmission.

More Information:
www.beckhoff.com/ts6360

Beckhoff Automation GmbH & Co. KG
Hülshorstweg 20
33415 Verl
Germany
Phone: +49 5246 9630
info@beckhoff.com
www.beckhoff.com

